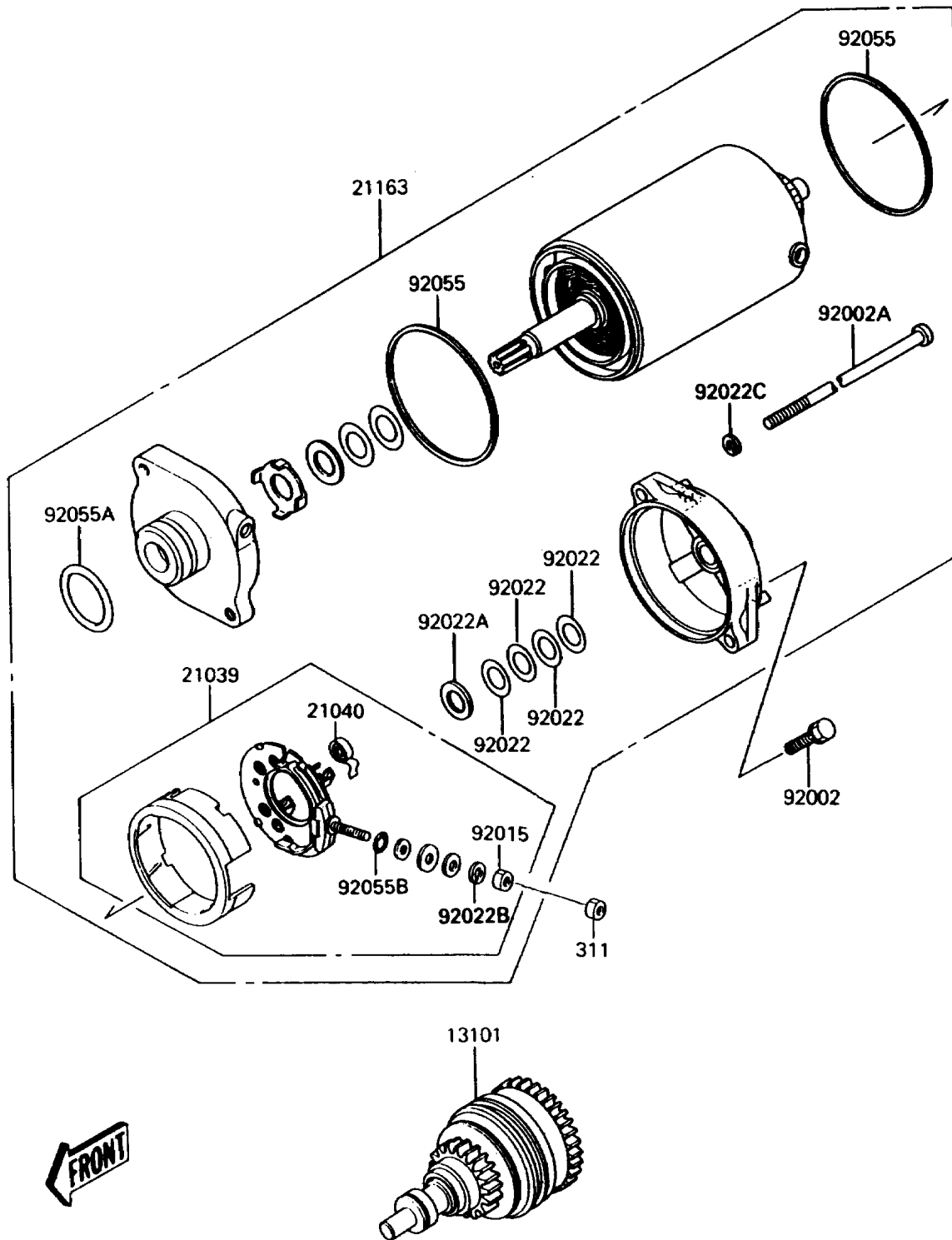


1989 Jet Mate PARTS DIAGRAM

Starter Motor

(E1840)



1989 Jet Mate PARTS LIST

Starter Motor

ITEM NAME	PART NUMBER	QUANTITY
GEAR-ASSY (Ref # 13101)	13101-3701	1
BRUSH,CARBON (Ref # 21039)	21039-3702	1
SPRING-BRUSH (Ref # 21040)	21040-1003	4
STARTER-ELECTRIC (Ref # 21163)	21163-3702	1
BOLT,6X25 (Ref # 92002)	92002-3714	2
BOLT (Ref # 92002A)	92002-3744	2
NUT,6MM (Ref # 92015)	92015-3710	1
WASHER,9.1X18X0.2 (Ref # 92022)	21025-011	4
WASHER,9.1X18X0.8 (Ref # 92022A)	92022-1132	1
WASHER,6MM (Ref # 92022B)	92022-3711	1
WASHER,SPRING,5MM (Ref # 92022C)	92022-3712	2
RING-O,64MM (Ref # 92055)	92055-1086	2
RING-O (Ref # 92055A)	92055-1276	1
RING-O,4.5X2.0 (Ref # 92055B)	92055-1370	1
NUT-HEX,6MM (Ref # 311)	311R0600	1