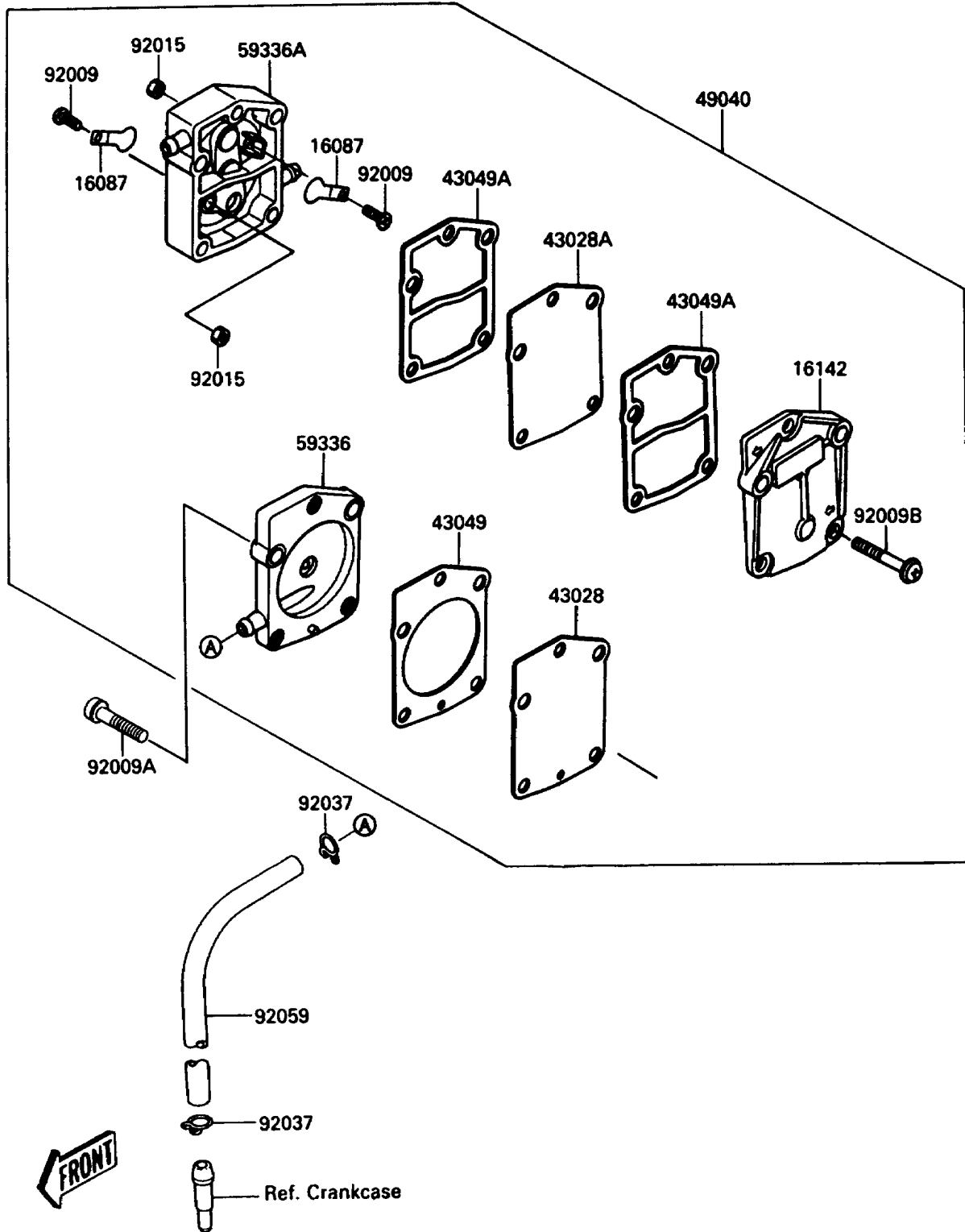


# 1989 Jet Mate PARTS DIAGRAM

Fuel Pump

(E1520 )



# 1989 Jet Mate PARTS LIST

## Fuel Pump

| ITEM NAME                             | PART NUMBER | QUANTITY |
|---------------------------------------|-------------|----------|
| VALVE-CHECK,FUEL PUMP (Ref # 16087)   | 16087-3701  | 2        |
| COVER-PUMP,FUEL (Ref # 16142)         | 16142-3702  | 1        |
| DIAPHRAGM,PULSE (Ref # 43028)         | 43028-3702  | 1        |
| DIAPHRAGM,FUEL (Ref # 43028A)         | 43028-3703  | 1        |
| PACKING,PULSE CASE (Ref # 43049)      | 43049-3705  | 1        |
| PACKING,FUEL COVER (Ref # 43049A)     | 43049-3706  | 2        |
| PUMP-FUEL (Ref # 49040)               | 49040-3706  | 1        |
| CASE-PUMP,PULSE (Ref # 59336)         | 59336-3704  | 1        |
| CASE-PUMP,BODY (Ref # 59336A)         | 59336-3707  | 1        |
| SCREW,3X6 (Ref # 92009)               | 92009-3707  | 2        |
| SCREW,6X40 (Ref # 92009A)             | 92009-3735  | 2        |
| SCREW,5X28 (Ref # 92009B)             | 92009-3767  | 3        |
| NUT,3MM (Ref # 92015)                 | 92015-3731  | 2        |
| CLAMP,11MM (Ref # 92037)              | 92037-3723  | 2        |
| TUBE,PULSE,5.8X10.8X560 (Ref # 92059) | 92059-3800  | 1        |