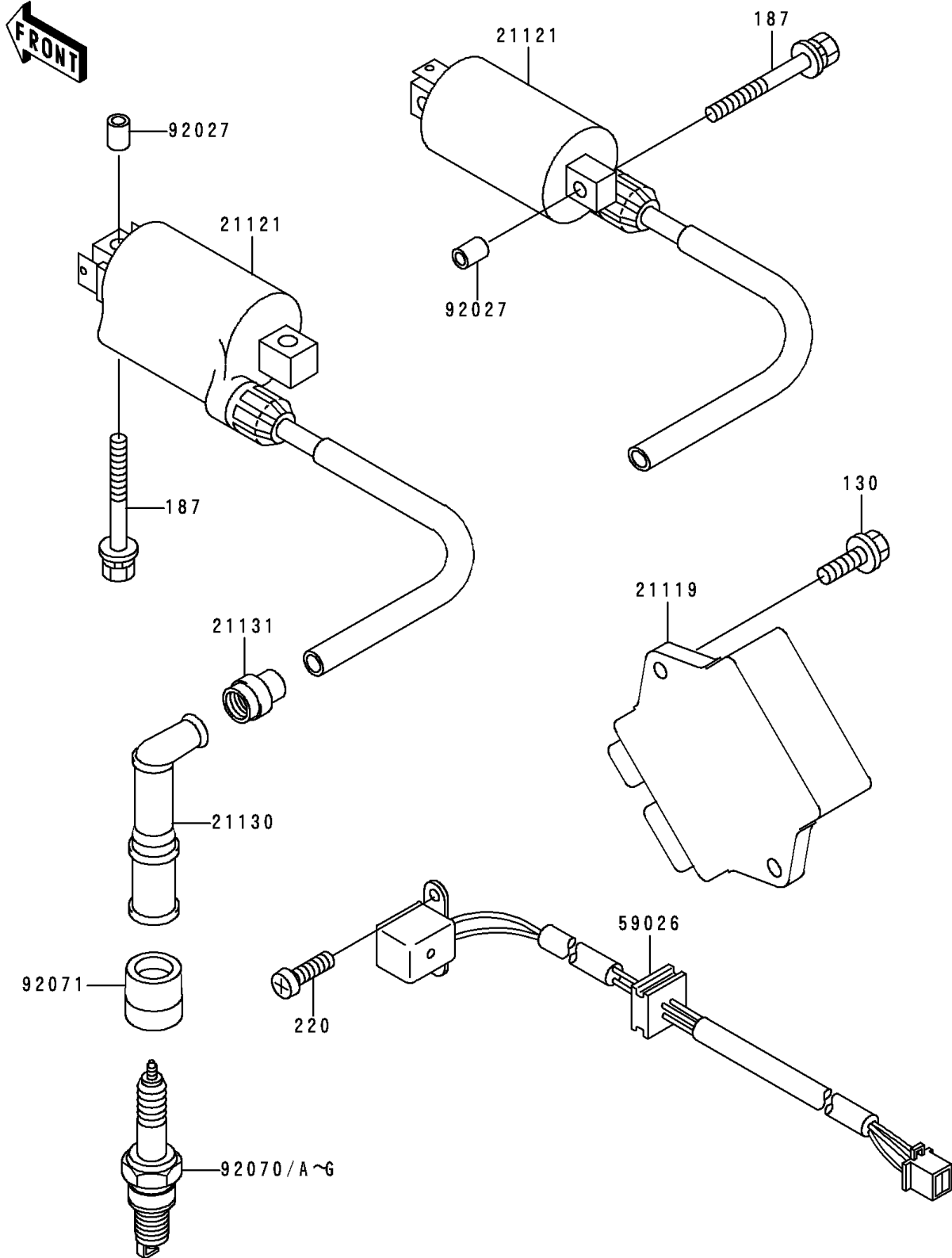


1995 Ninja® 500 PARTS DIAGRAM

Ignition System

E 1830



1995 Ninja® 500 PARTS LIST

Ignition System

| ITEM NAME | PART NUMBER | QUANTITY |
|--|-------------|----------|
| BOLT-FLANGED,6X16 (Ref # 130) | 130H0616 | 2 |
| BOLT-UPSET-WSP (Ref # 187) | 187G0625 | 4 |
| SCREW-PAN-CROS (Ref # 220) | 220B0510 | 2 |
| IGNITER (Ref # 21119) | 21119-1408 | 1 |
| COIL-IGNITION (Ref # 21121) | 21121-1153 | 2 |
| CAP-SPARK PLUG (Ref # 21130) | 21130-1068 | 2 |
| GROMMET,HIGH TENSION (Ref # 21131) | 21131-005 | 2 |
| COIL-PULSING (Ref # 59026) | 59026-1126 | 1 |
| COLLAR,6.8X10X6 (Ref # 92027) | 92027-103 | 4 |
| GROMMET,PLUG CAP (Ref # 92071) | 92071-1146 | 2 |
| PLUG-SPARK,X24ESR-U(ND) (Ref # 92070) | | 2 |
| PLUG-SPARK,D8EA(NGK) (Ref # 92070A) | 92070-1011 | 2 |
| PLUG-SPARK,X24ES-U(ND) (Ref # 92070B) | | 2 |
| PLUG-SPARK,D9EA(NGK) (Ref # 92070C) | 92070-1034 | 2 |
| PLUG-SPARK,X27ES-U(ND) (Ref # 92070D) | | 2 |
| PLUG-SPARK,X27ESR-U(ND) (Ref # 92070E) | | 2 |
| PLUG-SPARK,DR9EA(NGK) (Ref # 92070F) | 92070-1189 | 2 |
| PLUG-SPARK,DR8EA(NGK) (Ref # 92070G) | 92070-1199 | 2 |