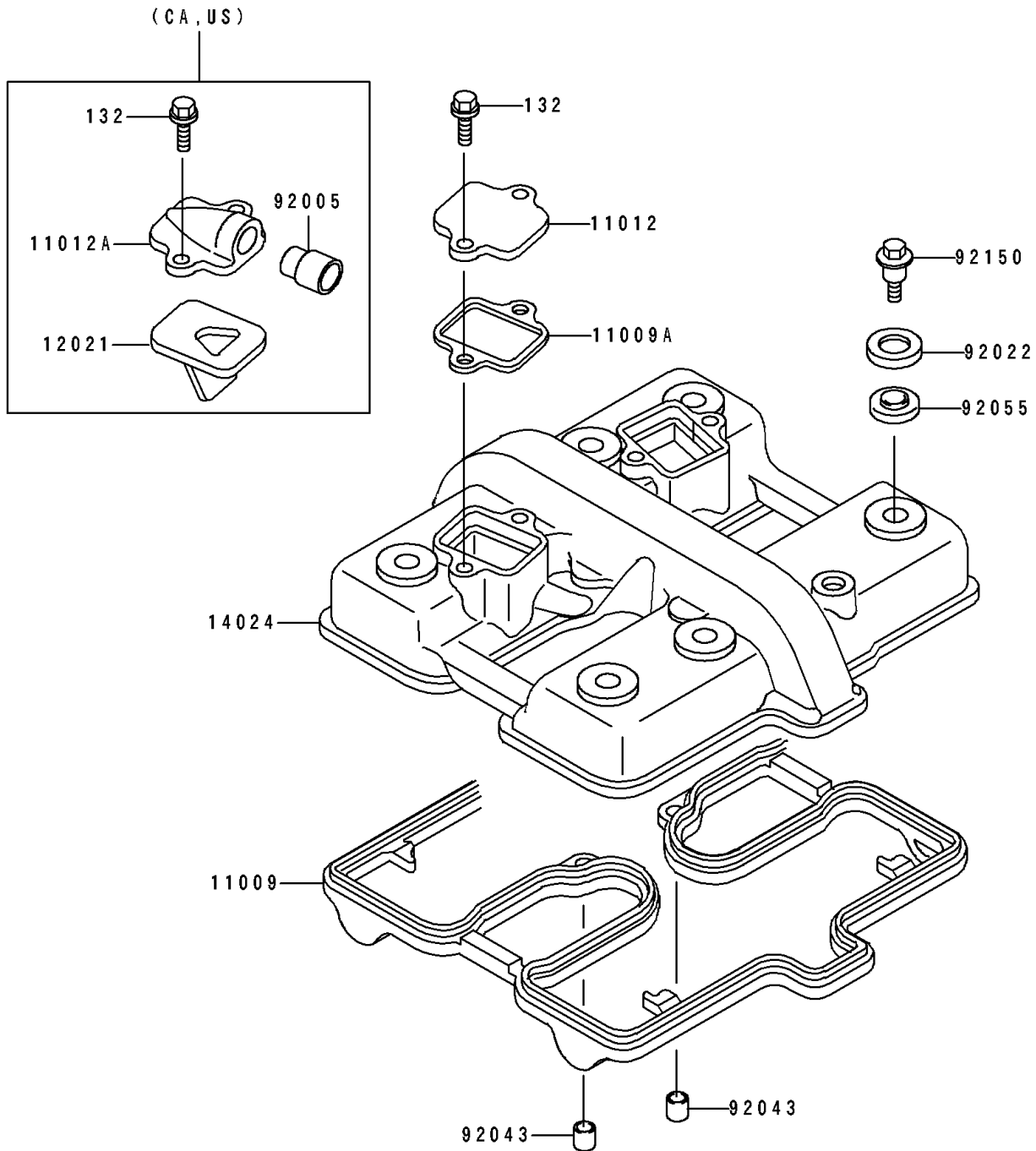


## 1992 EX500 PARTS DIAGRAM

Cylinder Head Cover

E1112



## 1992 EX500 PARTS LIST

Cylinder Head Cover

ITEM NAME	PART NUMBER	QUANTITY
GASKET,CYLINDER HEAD COVER (Ref # 11009)	11009-1483	1
GASKET,REED VALVE (Ref # 11009A)	11009-1879	1
CAP,CYLINDER HEAD COVER (Ref # 11012)	11012-1212	1
CAP,REED VALVE (Ref # 11012A)	11012-1310	1
VALVE-ASSY-REED (Ref # 12021)	12021-1026	1
COVER,CYLINDER HEAD (Ref # 14024)	14024-1397	1
FITTING,REED VALVE (Ref # 92005)	92005-1006	1
WASHER,HEAD COVER BOLT (Ref # 92022)	92022-1487	1
PIN,DOWEL,8X10 (Ref # 92043)	92043-1302	1
RING-O,HEAD COVER BOLT (Ref # 92055)	92055-1225	1
BOLT,HEAD COVER (Ref # 92150)	92150-1447	1
BOLT-FLANGED-SMALL (Ref # 132)	132J0616	1