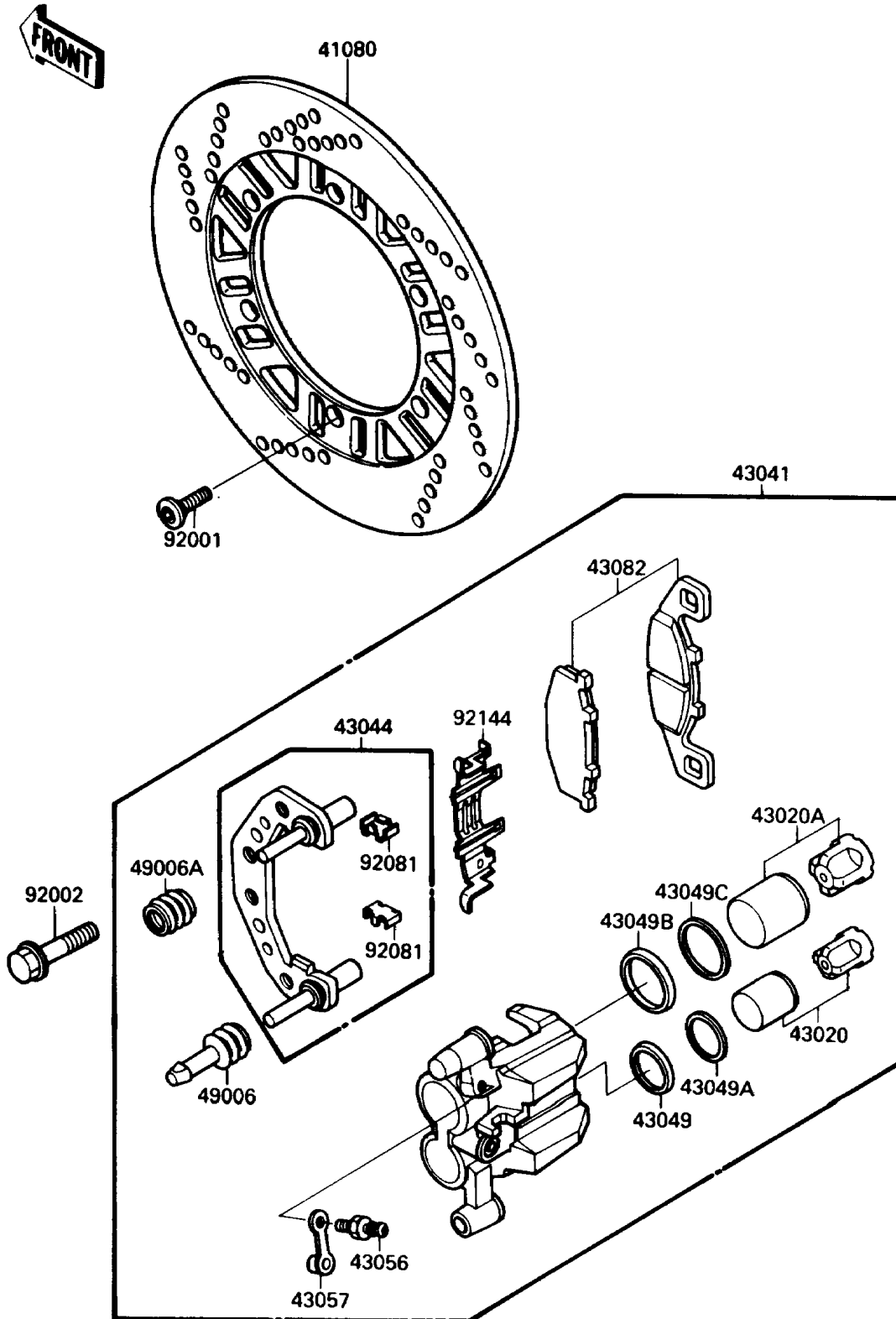


1987 EX500 PARTS DIAGRAM

Front Brake

F2292-0097



1987 EX500 PARTS LIST

Front Brake

| ITEM NAME | PART NUMBER | QUANTITY |
|------------------------------------|-------------|----------|
| DISC,FR (Ref # 41080) | 41080-1181 | 1 |
| PISTON-COMP-BRAKE (Ref # 43020) | 43020-1068 | 1 |
| PISTON-COMP-BRAKE (Ref # 43020A) | 43020-1069 | 1 |
| CALIPER-ASSY,FR,LH (Ref # 43041) | 43041-1238 | 1 |
| HOLDER-COMP-CALIPER (Ref # 43044) | 43044-1067 | 1 |
| PACKING,PISTON SEAL (Ref # 43049) | 43049-1054 | 1 |
| PACKING,PISTON (Ref # 43049A) | 43049-1055 | 1 |
| PACKING,PISTON SEAL (Ref # 43049B) | 43049-1056 | 1 |
| PACKING,PISTON (Ref # 43049C) | 43049-1057 | 1 |
| BREATHER-BRAKE (Ref # 43056) | 43056-003 | 1 |
| CAP-BREATHER (Ref # 43057) | 43057-003 | 1 |
| PAD-ASSY-BRAKE (Ref # 43082) | 43082-1074 | 1 |
| BOOT,CALIPER (Ref # 49006) | 49006-1094 | 1 |
| BOOT,CALIPER (Ref # 49006A) | 49006-1095 | 1 |
| BOLT,DISC PLATE,8X30 (Ref # 92001) | 92001-1951 | 1 |
| BOLT,FLANGED,10X41 (Ref # 92002) | 92002-1468 | 1 |
| SPRING,PAD STOPPER (Ref # 92081) | 92081-1661 | 1 |
| SPRING,PAD (Ref # 92144) | 92144-1070 | 1 |