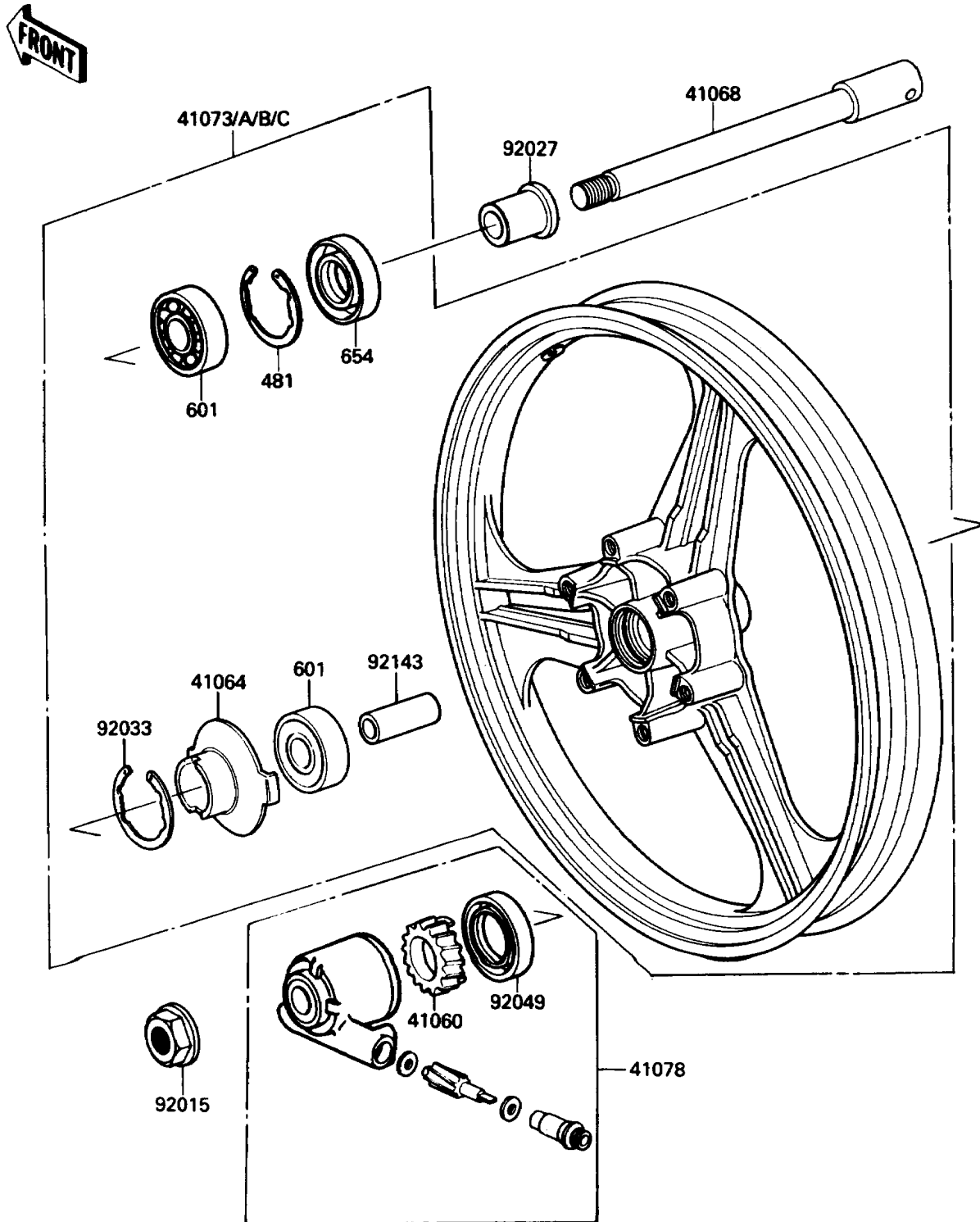


# 1987 EX500 PARTS DIAGRAM

Front Wheel

F2230-0152



# 1987 EX500 PARTS LIST

## Front Wheel

| ITEM NAME                                | PART NUMBER   | QUANTITY |
|--|---------------|----------|
| GEAR-METER SCREW,23T (Ref # 41060)       | 41060-1107    | 1        |
| RECEIVER-SPEEDOMETER (Ref # 41064)       | 41064-1006    | 1        |
| AXLE,FR (Ref # 41068)                    | 41068-1238    | 1        |
| WHEEL-ASSY,FR,SILVER NO.1 (Ref # 41073A) | 41073-1329-V5 | 1        |
| CASE-ASSY-METER GEAR (Ref # 41078)       | 41078-1055    | 1        |
| NUT,14MM (Ref # 92015)                   | 92015-1032    | 1        |
| COLLAR,L=34 (Ref # 92027)                | 92027-1118    | 1        |
| RING-SNAP,42MM (Ref # 92033)             | 92033-1041    | 1        |
| SEAL-OIL,BJN30427-C3 (Ref # 92049)       | 92049-1057    | 1        |
| COLLAR,15.2X22X60 (Ref # 92143)          | 92027-1980    | 1        |
| CIRCLIP-TYPE-C,35MM (Ref # 481)          | 481J3500      | 1        |
| BEARING-BALL (Ref # 601)                 | 601B6202UU    | 2        |
| OIL SEAL,22X35X8 (Ref # 654)             | 654A223508    | 1        |