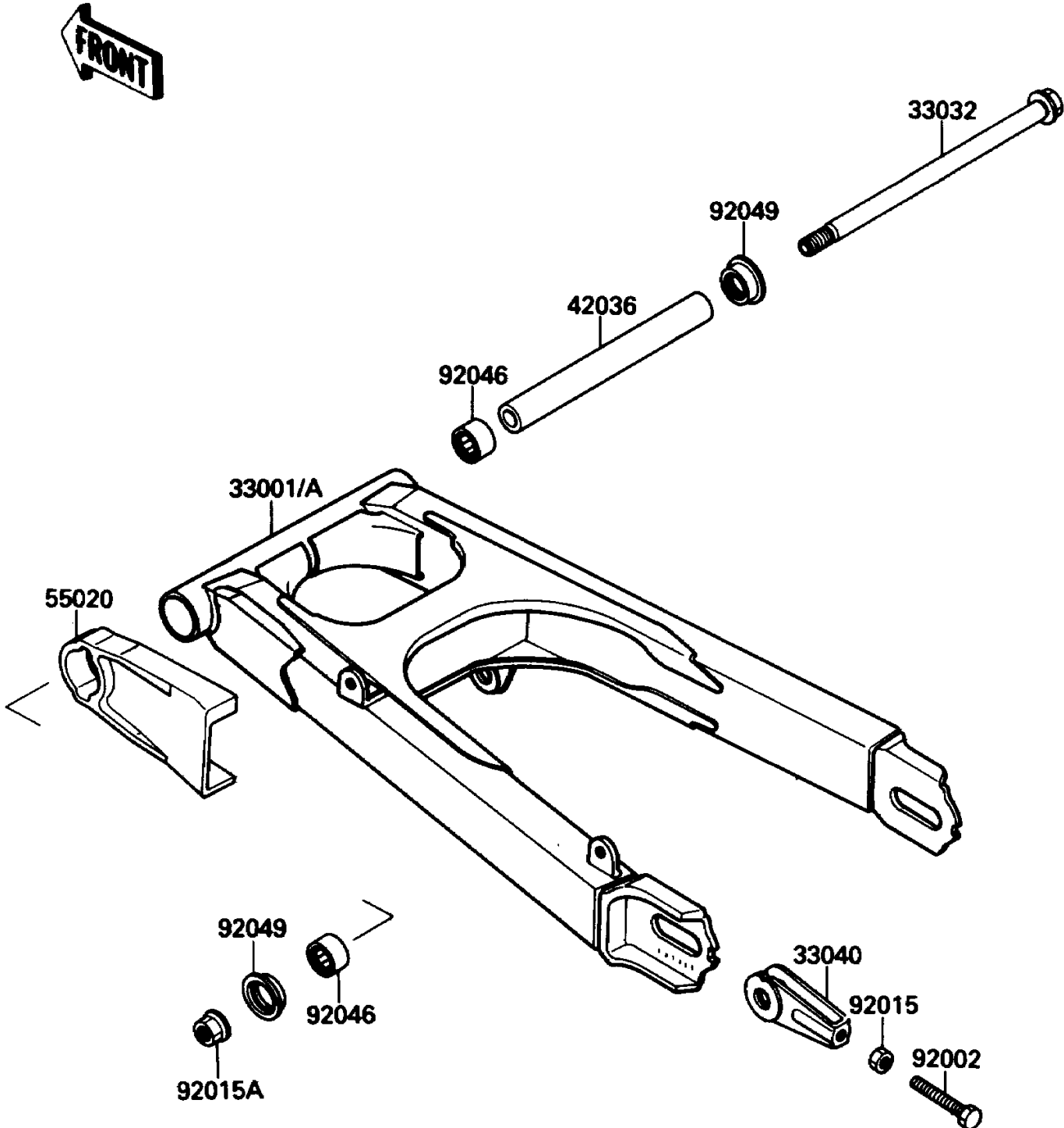


# 1987 EX500 PARTS DIAGRAM

Swingarm

F2141-0053



# 1987 EX500 PARTS LIST

Swingarm

ITEM NAME	PART NUMBER	QUANTITY
-----------	-------------	----------