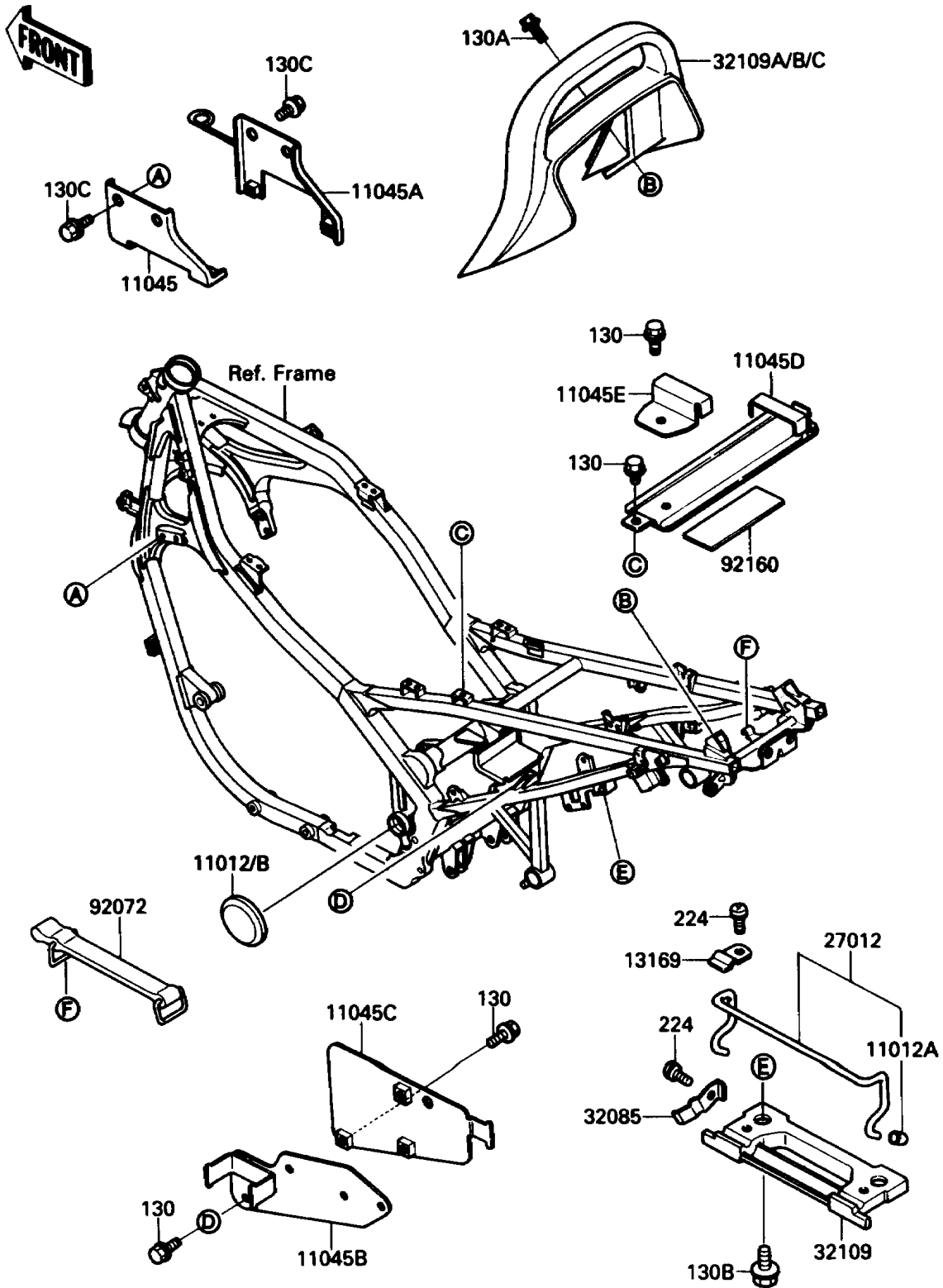


1987 EX500 PARTS DIAGRAM

Electro Bracket

F2133-0005



1987 EX500 PARTS LIST

Electro Bracket

| ITEM NAME | PART NUMBER | QUANTITY |
|---|---------------|----------|
| CAP,BUNGEE CORD HOOK (Ref # 11012A) | 11012-1589 | 1 |
| CAP,SWING ARM BRACKET (Ref # 11012B) | 11012-1629 | 1 |
| BRACKET,IGNITION COIL,LH (Ref # 11045) | 11045-1419 | 1 |
| BRACKET,IGNITION COIL,RH (Ref # 11045A) | 11045-1420 | 1 |
| BRACKET,REGULATOR (Ref # 11045B) | 11045-1421 | 1 |
| BRACKET,IGNITER (Ref # 11045C) | 11045-1422 | 1 |
| BRACKET,BATTERY BAND (Ref # 11045D) | 11045-1423 | 1 |
| BRACKET,JUNCTION BOX (Ref # 11045E) | 11045-1424 | 1 |
| PLATE,GRIP (Ref # 13169) | 13169-1760 | 1 |
| HOOK,BUNGEE CORD (Ref # 27012) | 27012-1311 | 1 |
| STOPPER,HOOK (Ref # 32085) | 32085-1187 | 1 |
| GRIP-FRAME (Ref # 32109) | 32109-1108 | 1 |
| GRIP-FRAME,TAIL,F.RED (Ref # 32109A) | 32109-1156-B1 | 1 |
| GRIP-FRAME,TAIL,EBONY (Ref # 32109B) | 32109-1156-H8 | 1 |
| GRIP-FRAME,TAIL,P.A. WHITE (Ref # 32109C) | 32109-1156-R1 | 1 |
| BAND (Ref # 92072) | 92072-1085 | 1 |
| DAMPER,BATTERY (Ref # 92160) | 92160-1094 | 1 |
| BOLT-FLANGED,6X8 (Ref # 130) | 130B0608 | 1 |
| BOLT-FLANGED (Ref # 130A) | 130D0814 | 1 |
| BOLT-FLANGED,8X14 (Ref # 130B) | 130G0814 | 1 |
| BOLT-FLANGED,6X14,BLACK (Ref # 130C) | 130J0614 | 1 |
| SCREW-PAN-WP-CROS (Ref # 224) | 224C0508 | 1 |