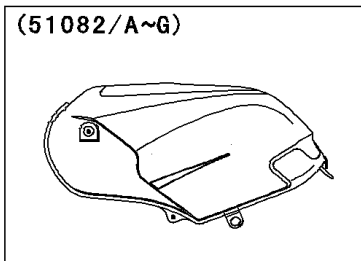
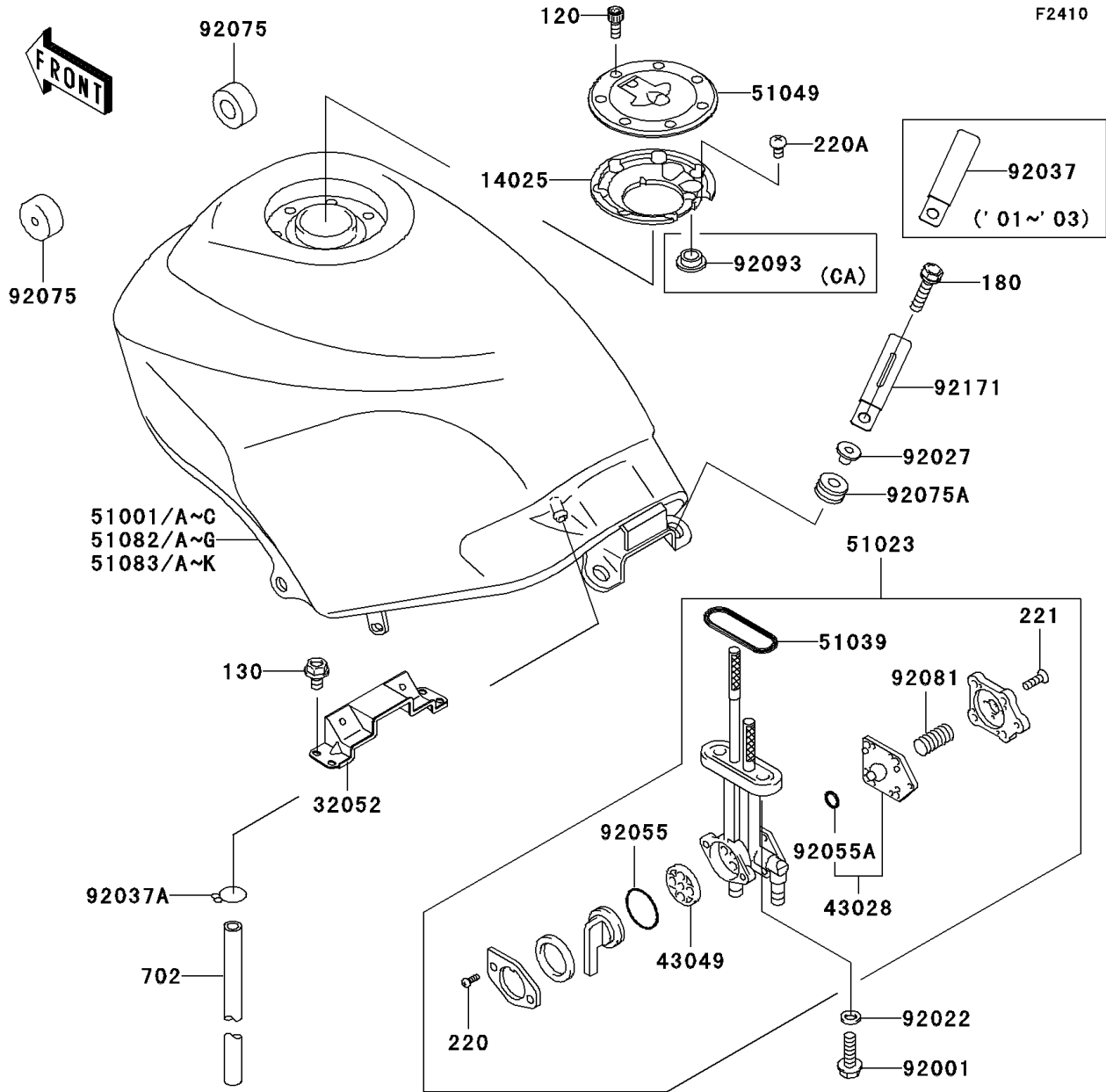
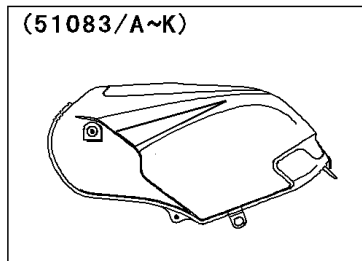


2001 Ninja® 250R PARTS DIAGRAM

Fuel Tank(4/4)



WD



WD

| | |
|----------------|--------|
| (51082/B/F/G) | Green |
| (51082A/C) | Yellow |
| (51082D/E) | Blue |
| (51083/C/H/K) | Blue |
| (51083A/D/G/J) | Silver |
| (51083B/E) | Yellow |
| (51083F/I) | Ebony |

2001 Ninja® 250R PARTS LIST

Fuel Tank(4/4)

| ITEM NAME | PART NUMBER | QUANTITY |
|---------------------------------------|---------------|----------|
| COVER,TANK CAP (Ref # 14025) | 14025-1913 | 1 |
| BRACKET-TANK,RR (Ref # 32052) | 32052-1254 | 1 |
| DIAPHRAGM,TAP (Ref # 43028) | 43028-1068 | 1 |
| PACKING (Ref # 43049) | 43049-1103 | 1 |
| TAP-ASSY,FUEL (Ref # 51023) | 51023-1393 | 1 |
| RING,TAP FLANGED (Ref # 51039) | 51039-003 | 1 |
| CAP-TANK,FUEL (Ref # 51049) | 51049-1131 | 1 |
| BOLT-SOCKET (Ref # 120) | 120S0512 | 7 |
| BOLT-FLANGED,6X10 (Ref # 130) | 130H0610 | 4 |
| BOLT-UPSET-WS,6X25 (Ref # 180) | 180D0625 | 2 |
| SCREW-PAN-CROS (Ref # 220) | 220C0308 | 2 |
| SCREW-PAN-CROSS (Ref # 220A) | 220F0508 | 1 |
| SCREW-CSK-CROS,4X14 (Ref # 221) | 221B0414 | 5 |
| TUBE-RUBBER,7X10X1000 (Ref # 702) | 702A071000 | 1 |
| BOLT,6X20 (Ref # 92001) | 92001-1091 | 2 |
| WASHER,6.2X11X1.5 (Ref # 92022) | 92022-183 | 2 |
| COLLAR,L=13.1 (Ref # 92027) | 92027-251 | 2 |
| CLAMP,L=60 (Ref # 92037) | 92037-1069 | 1 |
| CLAMP (Ref # 92037A) | 92037-1712 | 1 |
| RING-O,TAP LEVER (Ref # 92055) | 92055-1085 | 1 |
| RING-O (Ref # 92055A) | 92055-1664 | 1 |
| DAMPER,FUEL TANK,FR (Ref # 92075) | 92075-1115 | 2 |
| DAMPER (Ref # 92075A) | 92075-1690 | 2 |
| SPRING,TAP DIAPHRAGM (Ref # 92081) | 92081-1240 | 1 |
| TANK-COMP-FUEL,F.RED (Ref # 51001) | 51001-1411-B1 | 1 |
| TANK-COMP-FUEL,L.GREEN (Ref # 51001A) | 51001-1411-7F | 1 |
| TANK-COMP-FUEL,F.RED (Ref # 51001B) | 51001-1412-B1 | 1 |
| TANK-COMP-FUEL,L.GREEN (Ref # 51001C) | 51001-1412-7F | 1 |
| SEAL,FUEL TANK CAP (Ref # 92093) | 92093-1030 | 1 |