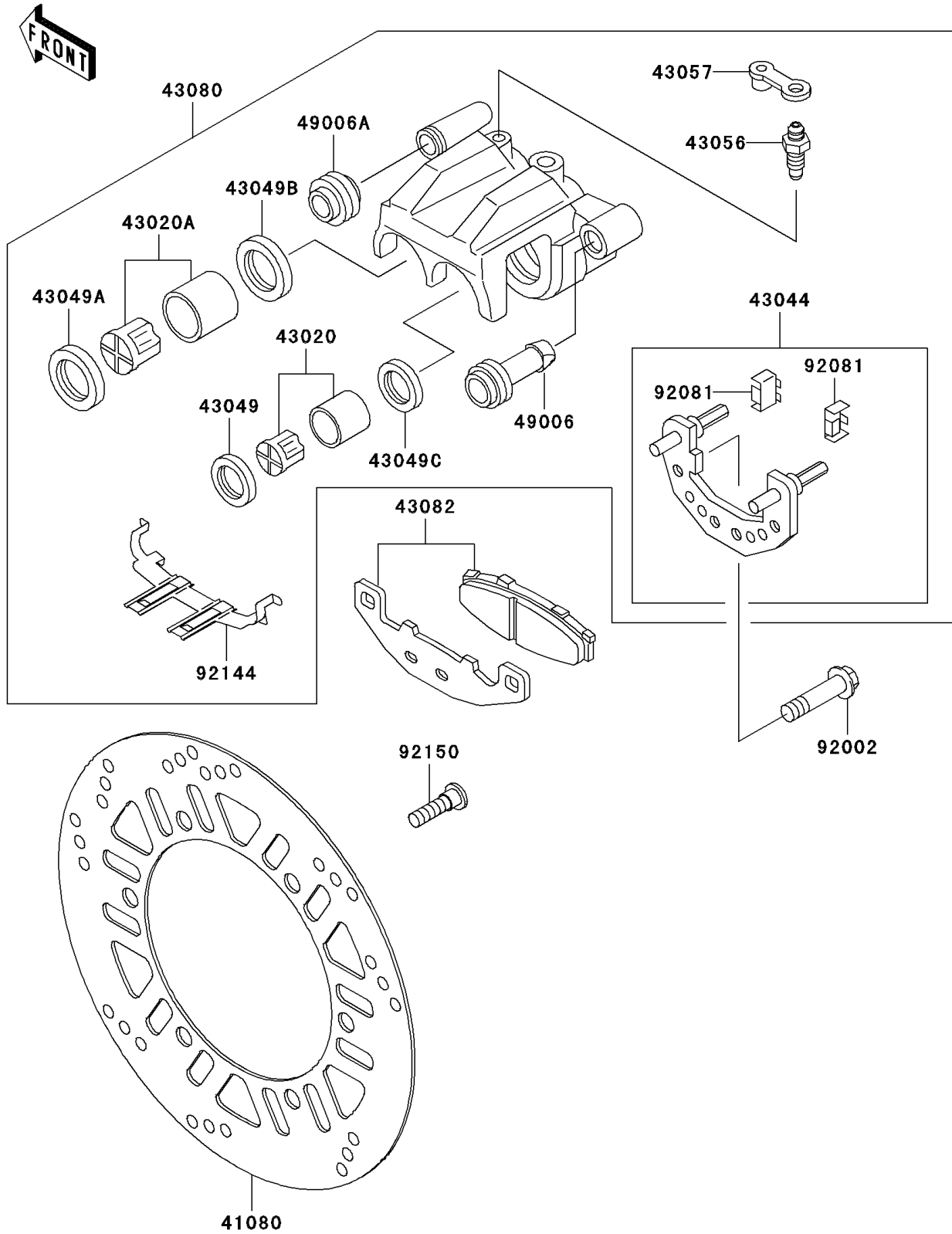


## 2005 Ninja® 250R PARTS DIAGRAM

Front Brake(F18/F19)

F2292A



## 2005 Ninja® 250R PARTS LIST

Front Brake(F18/F19)

ITEM NAME	PART NUMBER	QUANTITY
DISC,FR,SILVER (Ref # 41080)	41080-0030-CM	1
PISTON-COMP-BRAKE (Ref # 43020)	43020-1068	1
PISTON-COMP-BRAKE (Ref # 43020A)	43020-1069	1
HOLDER-COMP-CALIPER (Ref # 43044)	43044-1067	1
PACKING,PISTON (Ref # 43049)	43049-1055	1
PACKING,PISTON (Ref # 43049A)	43049-1057	1
PACKING,PISTON SEAL (Ref # 43049B)	43049-1095	1
PACKING,PISTON SEAL (Ref # 43049C)	43049-1096	1
BREATHER-BRAKE (Ref # 43056)	43056-1054	1
CAP-BREATHER (Ref # 43057)	43057-003	1
CALIPER-SUB-ASSY,FR,RH,BLACK (Ref # 43080)	43080-5013-DJ	1
PAD-ASSY-BRAKE (Ref # 43082)	43082-1068	1
BOOT,CALIPER (Ref # 49006)	49006-1094	1
BOOT,CALIPER (Ref # 49006A)	49006-1095	1
BOLT,FLANGED,10X41 (Ref # 92002)	92002-1484	1
SPRING,PAD STOPPER (Ref # 92081)	92081-1661	1
SPRING,PAD (Ref # 92144)	92144-1070	1
BOLT,SOCKET,8X30 (Ref # 92150)	92150-1771	1