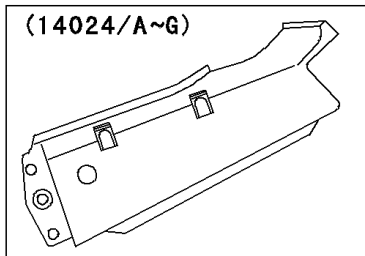
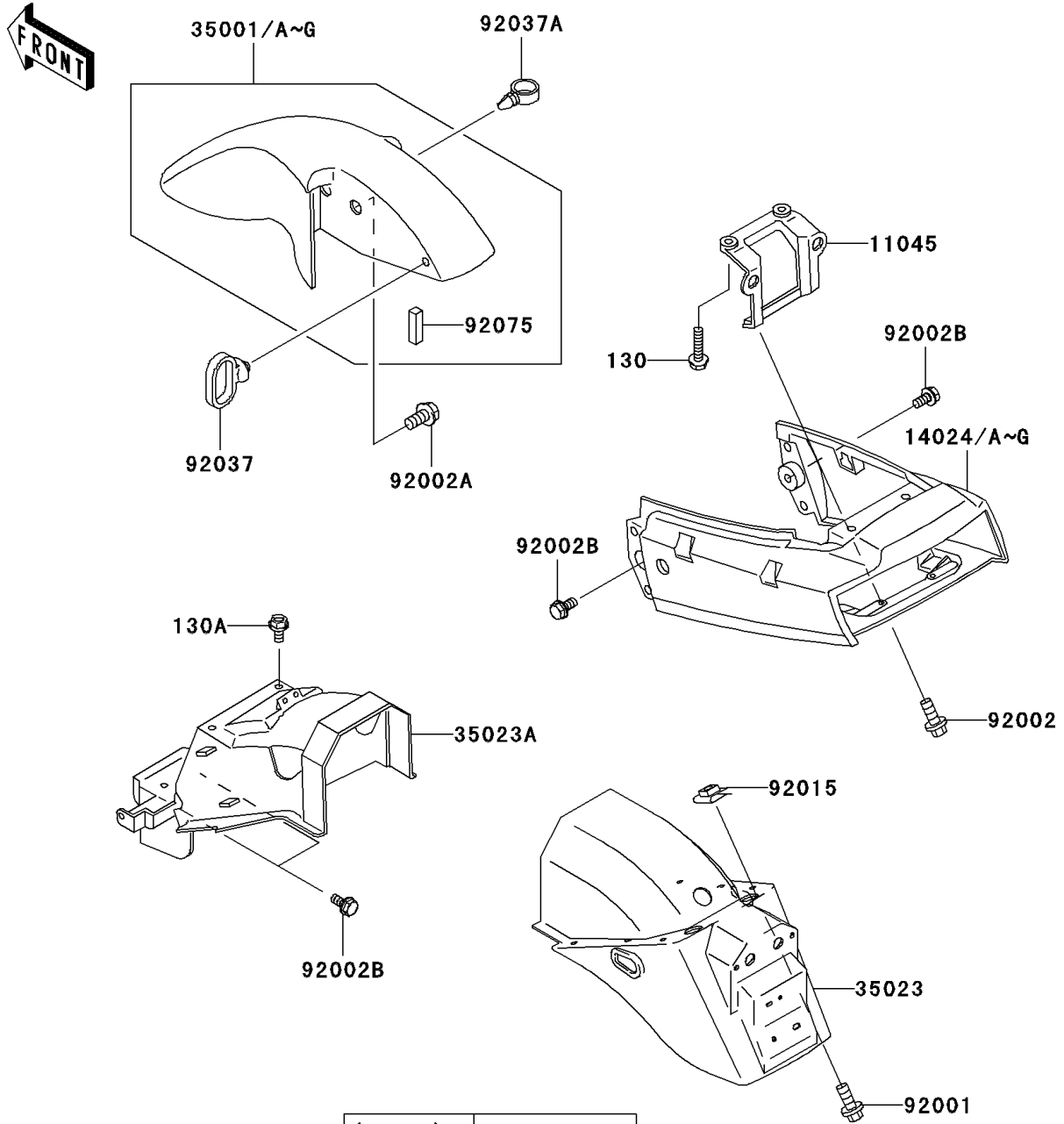


2001 Ninja® 250R PARTS DIAGRAM

Fenders

F2170



W0D

| | |
|----------|--------|
| (14024) | Red |
| (14024A) | Blue |
| (14024B) | Ebony |
| (14024C) | Blue |
| (14024D) | Silver |
| (14024E) | Yellow |
| (14024F) | Yellow |
| (14024G) | Green |

2001 Ninja® 250R PARTS LIST

Fenders

| ITEM NAME | PART NUMBER | QUANTITY |
|--|---------------|----------|
| BOLT-FLANGED (Ref # 130) | 130D0625 | 2 |
| BOLT-FLANGED,6X16 (Ref # 130A) | 130G0616 | 2 |
| BRACKET,TAIL LAMP (Ref # 11045) | 11045-1639 | 1 |
| COVER,TAIL,F.RED (Ref # 14024) | 14024-1444-B1 | 1 |
| COVER,TAIL,L.GREEN (Ref # 14024G) | 14024-1444-7F | 1 |
| FENDER-ASSY-FRONT,F.RED (Ref # 35001) | 35001-1130-B1 | 1 |
| FENDER-ASSY-FRONT,L.GREEN (Ref # 35001G) | 35001-1130-7F | 1 |
| FENDER-REAR,RR,BLACK (Ref # 35023) | 35023-1220-6Z | 1 |
| FENDER-REAR,FR (Ref # 35023A) | 35023-1224 | 1 |
| BOLT,6X20 (Ref # 92001) | 92001-1773 | 4 |
| BOLT,6X25 (Ref # 92002) | 92002-1135 | 2 |
| BOLT,FLANGED,8X16 (Ref # 92002A) | 92002-1200 | 4 |
| BOLT,6X14 (Ref # 92002B) | 92002-1351 | 4 |
| NUT,CLAMP,6MM (Ref # 92015) | 92015-1678 | 4 |
| CLAMP,CABLE (Ref # 92037) | 92037-1459 | 1 |
| CLAMP,HOSE (Ref # 92037A) | 92037-1827 | 1 |
| DAMPER (Ref # 92075) | 92075-1867 | 2 |