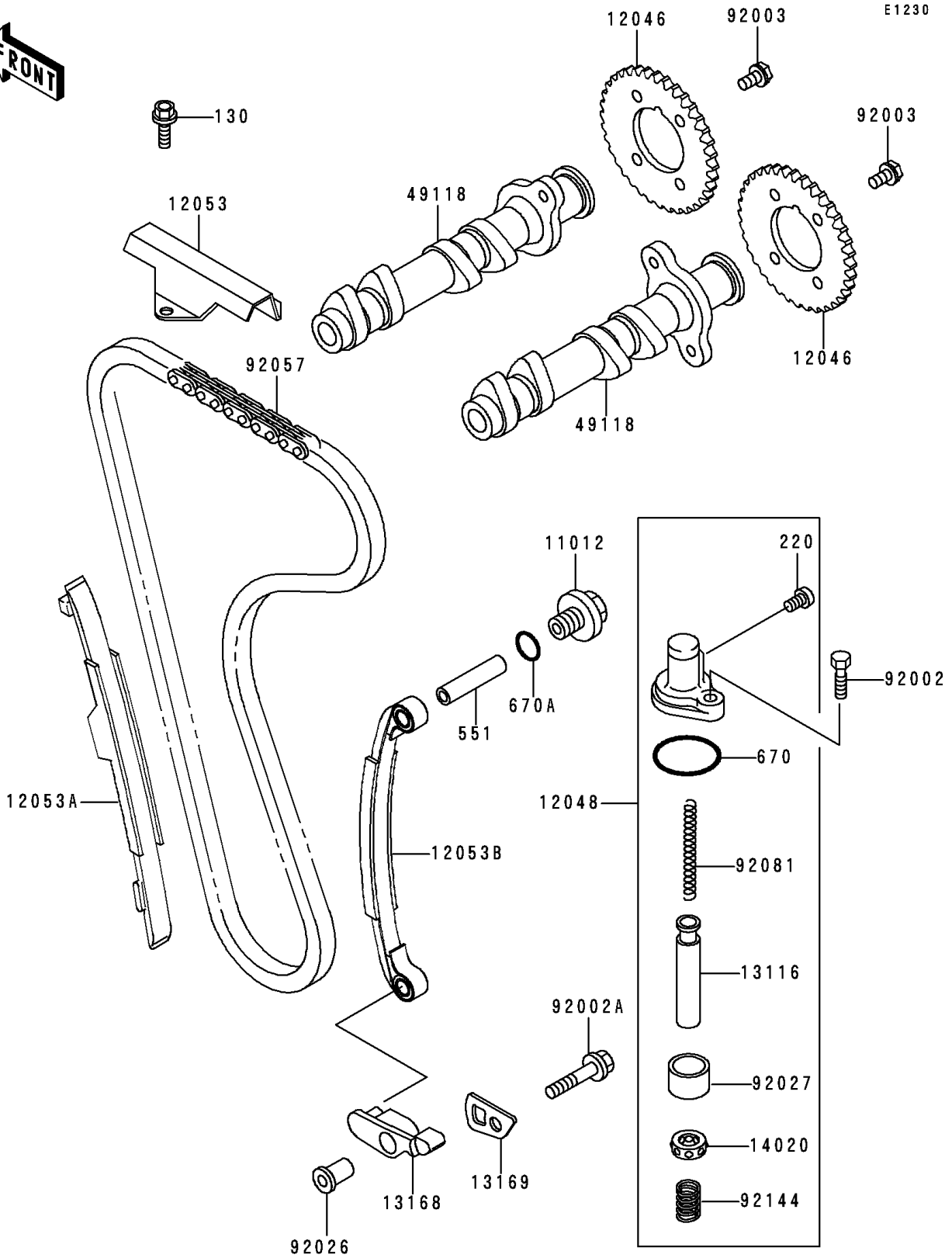


1996 Ninja® 250R PARTS DIAGRAM

Camshaft(s)/Tensioner



1996 Ninja® 250R PARTS LIST

Camshaft(s)/Tensioner

ITEM NAME	PART NUMBER	QUANTITY
BOLT-FLANGED,6X14 (Ref # 130)	130P0614	1
SCREW-PAN-CROS (Ref # 220)	220C0508	1
PIN-DOWEL (Ref # 551)	551A0835	1
O RING,21MM (Ref # 670)	670B2021	1
O RING,14MM (Ref # 670A)	670D2014	1
CAP,BOLT (Ref # 11012)	11012-1677	1
SPROCKET,CAMSHAFT,38T (Ref # 12046)	12046-1085	1
TENSIONER-ASSY (Ref # 12048)	12048-1106	1
GUIDE-CHAIN,UPP (Ref # 12053)	12053-1192	1
GUIDE-CHAIN,FR (Ref # 12053A)	12053-1205	1
GUIDE-CHAIN,RR (Ref # 12053B)	12053-1369	1
ROD-PUSH,TENSIONER (Ref # 13116)	13116-1138	1
LEVER,TENSIONER (Ref # 13168)	13168-1313	1
PLATE,CHAIN GUIDE (Ref # 13169)	13169-1661	1
RETAINER,TENSIONER (Ref # 14020)	14020-1054	1
CAMSHAFT-COMP (Ref # 49118)	49118-1054	1
BOLT,6X25 (Ref # 92002)	92002-1344	1
BOLT,8X35 (Ref # 92002A)	92002-1824	1
BOLT,FLANGED,6X11 (Ref # 92003)	92003-208	1
SPACER (Ref # 92026)	92026-1266	1
COLLAR,TENSIONER (Ref # 92027)	92027-1240	1
CHAIN,CAM,82RH2010-124L (Ref # 92057)	92057-1210	1
SPRING,TENSIONER (Ref # 92081)	92081-1984	1
SPRING,TENSIONER (Ref # 92144)	92144-1274	1