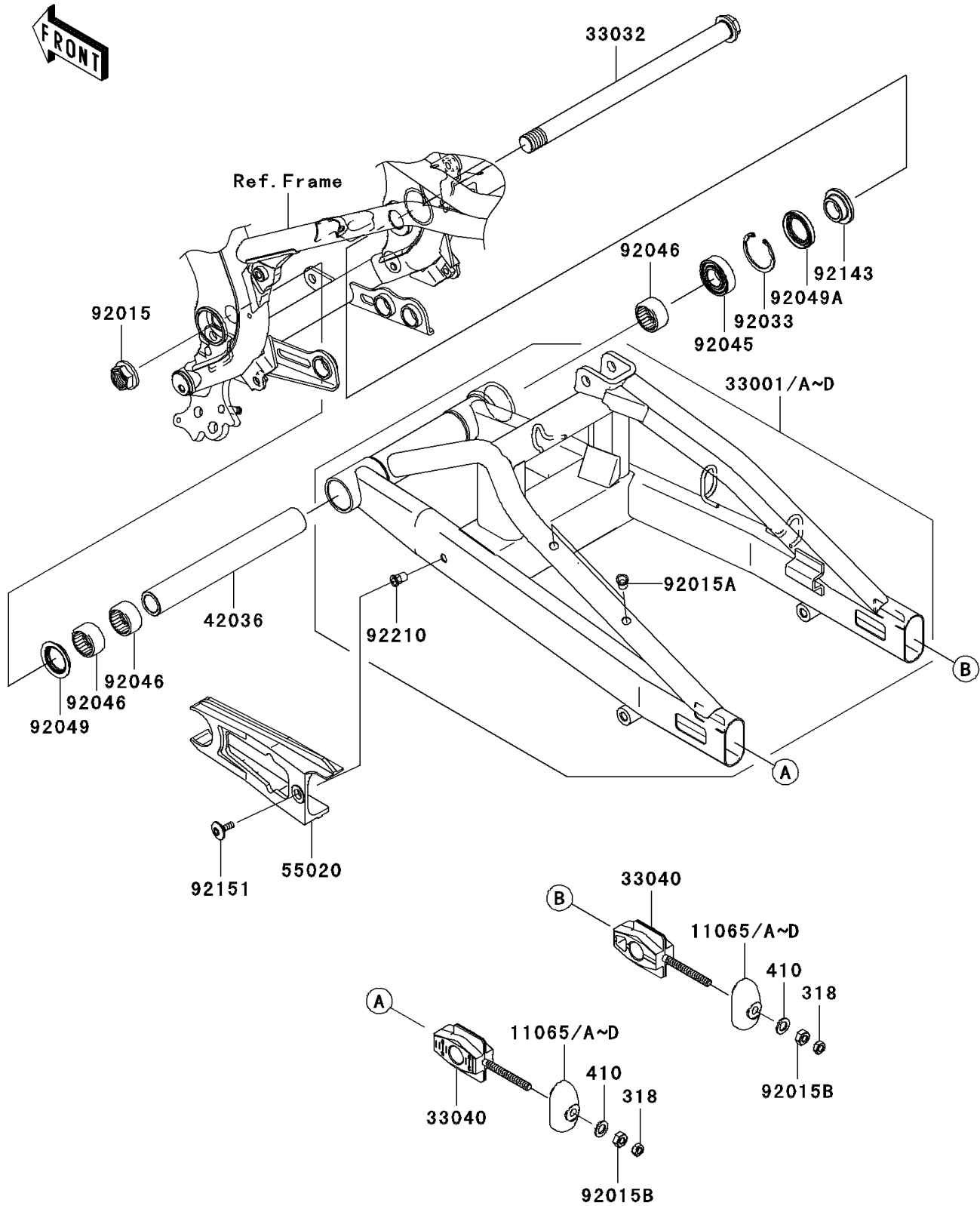


# 2007 ER-6n (Australian) PARTS DIAGRAM

Swingarm

F2141



## 2007 ER-6n (Australian) PARTS LIST

### Swingarm

ITEM NAME	PART NUMBER	QUANTITY
NUT-HEX-SMALL (Ref # 318)	318C0800	2
WASHER-PLAIN-SMALL,8MM,BLACK (Ref # 410)	410F0800	2
CAP,CHAIN ADJUSTER,F.S.BLACK (Ref # 11065)	11065-0121-11E	2
CAP,CHAIN ADJUSTER,P.RED (Ref # 11065D)	11065-0121-796	2
ARM-COMP-SWING,F.S.BLACK (Ref # 33001)	33001-0081-11E	1
ARM-COMP-SWING,P.RED (Ref # 33001D)	33001-0081-796	1
SHAFT-SWING ARM (Ref # 33032)	33032-1142	1
ADJUSTER-CHAIN,INNER (Ref # 33040)	33040-0015	2
SLEEVE,SWING ARM,L=219.5 (Ref # 42036)	42036-1358	1
GUARD,CHAIN (Ref # 55020)	55020-0192	1
NUT,FLANGED,20MM (Ref # 92015)	92015-1724	1
NUT,POP,6MM (Ref # 92015A)	92015-1759	2
NUT,8MM (Ref # 92015B)	92015-1959	2
RING-SNAP,42MM (Ref # 92033)	92033-1041	1
BEARING-BALL,6004UL11 (Ref # 92045)	92045-0017	1
BEARING-NEEDLE,7E-HVS 28X34X17 (Ref # 92046)	92046-0008	3
SEAL-OIL (Ref # 92049)	92049-1181	1
SEAL-OIL,TC28426.5 (Ref # 92049A)	92049-1185	1
COLLAR,SWING ARM,RH,L=12.5 (Ref # 92143)	92143-1727	1
BOLT,SOCKET,6X18 (Ref # 92151)	92151-1149	1
NUT,POP,6MM,L=15 (Ref # 92210)	92210-1397	1