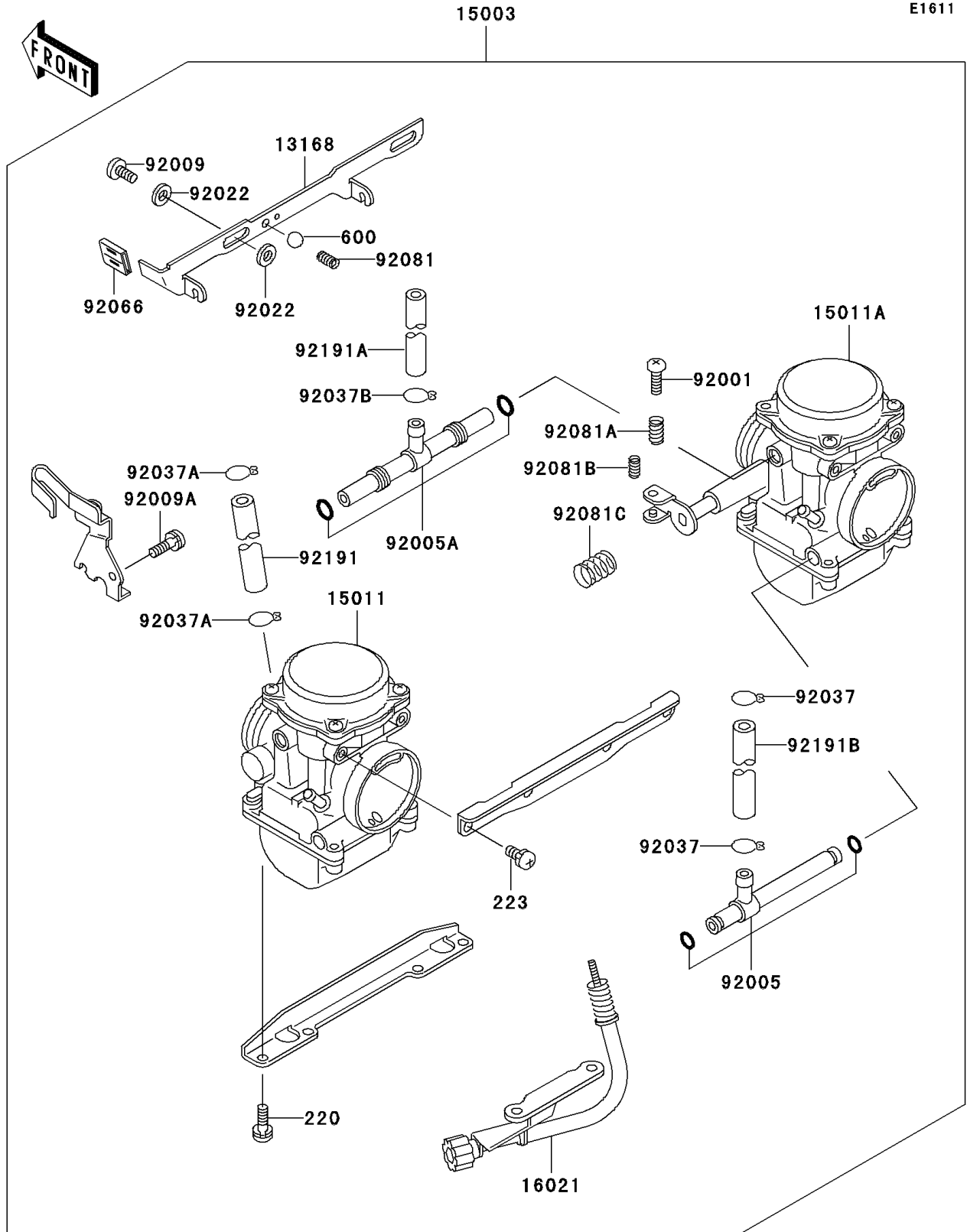


2003 Vulcan 500 LTD PARTS DIAGRAM

Carburetor



2003 Vulcan 500 LTD PARTS LIST

Carburetor

| ITEM NAME | PART NUMBER | QUANTITY |
|--|-------------|----------|
| SCREW-PAN-CROS,6X16 (Ref # 220) | 220B0616 | 4 |
| SCREW-PAN-WS-CROS (Ref # 223) | 223C0510 | 4 |
| BALL-STEEL,3/16" (Ref # 600) | 600A0600 | 1 |
| LEVER,STARTER (Ref # 13168) | 13168-1444 | 1 |
| CARBURETOR-ASSY (Ref # 15003) | 15003-1235 | 1 |
| CARBURETOR,LH (Ref # 15011) | 15011-1252 | 1 |
| CARBURETOR,RH (Ref # 15011A) | 15011-1253 | 1 |
| SCREW-THROTTLE STOP (Ref # 16021) | 16021-1175 | 1 |
| BOLT,THROTTLE ADJUST (Ref # 92001) | 92001-1998 | 1 |
| FITTING (Ref # 92005) | 92005-1325 | 1 |
| FITTING (Ref # 92005A) | 92005-1326 | 1 |
| SCREW (Ref # 92009) | 92009-1262 | 2 |
| SCREW,5X10 (Ref # 92009A) | 92009-1365 | 1 |
| WASHER,6.1X11X0.8,POLYACETAL (Ref # 92022) | 92022-1199 | 4 |
| CLAMP,FUEL TUBE (Ref # 92037) | 92037-1075 | 2 |
| CLAMP,TUBE (Ref # 92037A) | 92037-1477 | 2 |
| CLAMP,TUBE (Ref # 92037B) | 92037-1531 | 1 |
| PLUG,STARTER LEVER (Ref # 92066) | 92066-1157 | 1 |
| SPRING,SHAFT STOP (Ref # 92081) | 92081-1619 | 1 |
| SPRING,THROTTLE ADJUST UPP (Ref # 92081A) | 92081-1620 | 1 |
| SPRING,THROTTLE ADJUST LWR (Ref # 92081B) | 92081-1621 | 1 |
| SPRING (Ref # 92081C) | 92081-1876 | 1 |
| TUBE,5X9X230 (Ref # 92191) | 92191-1103 | 1 |
| TUBE,7X11X330 (Ref # 92191A) | 92191-1104 | 1 |
| TUBE,7.3X12.5X320 (Ref # 92191B) | 92191-1110 | 1 |