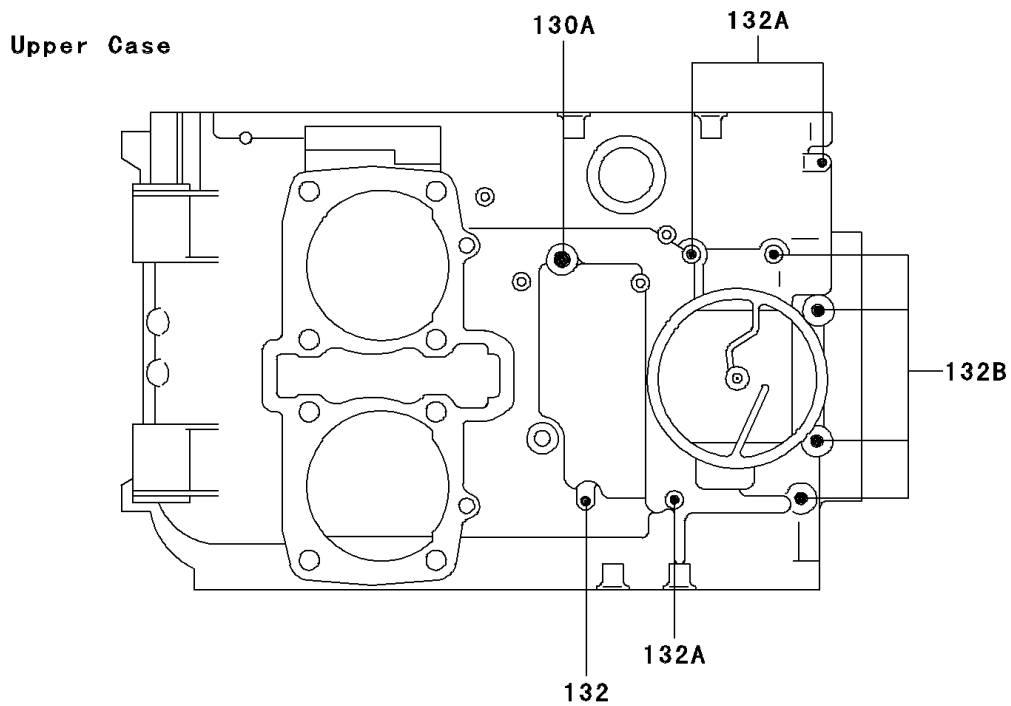


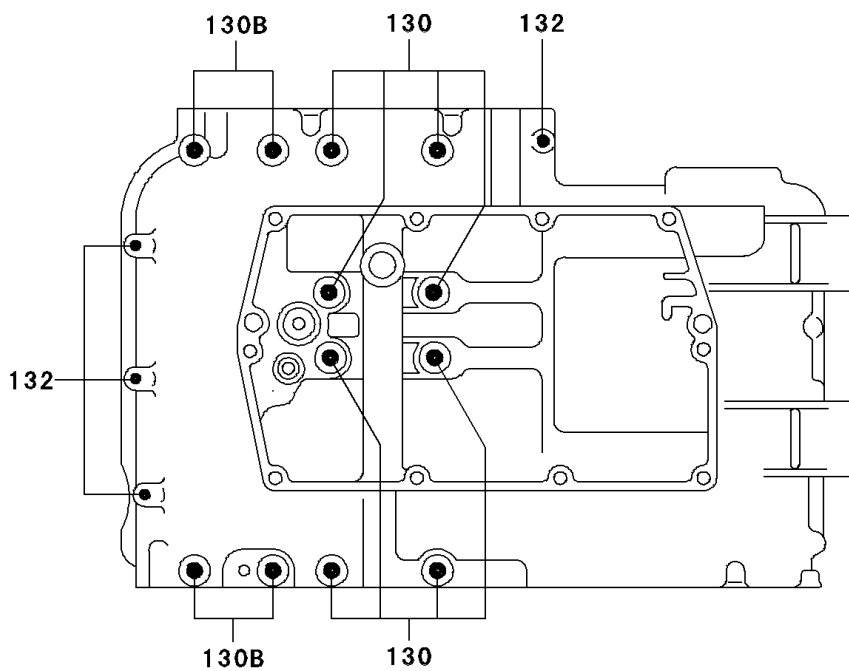
## 2002 Vulcan 500 LTD PARTS DIAGRAM

Crankcase Bolt Pattern

E1412



Lower Case



## 2002 Vulcan 500 LTD PARTS LIST

Crankcase Bolt Pattern

ITEM NAME	PART NUMBER	QUANTITY
BOLT-FLANGED (Ref # 130)	130Z08100	1
BOLT-FLANGED (Ref # 130A)	130Z0855	1
BOLT-FLANGED (Ref # 130B)	130Z0875	1
BOLT-FLANGED-SMALL (Ref # 132)	132Y0640	1
BOLT-FLANGED-SMALL (Ref # 132A)	132Y0660	1
BOLT-FLANGED-SMALL (Ref # 132B)	132Y0680	1