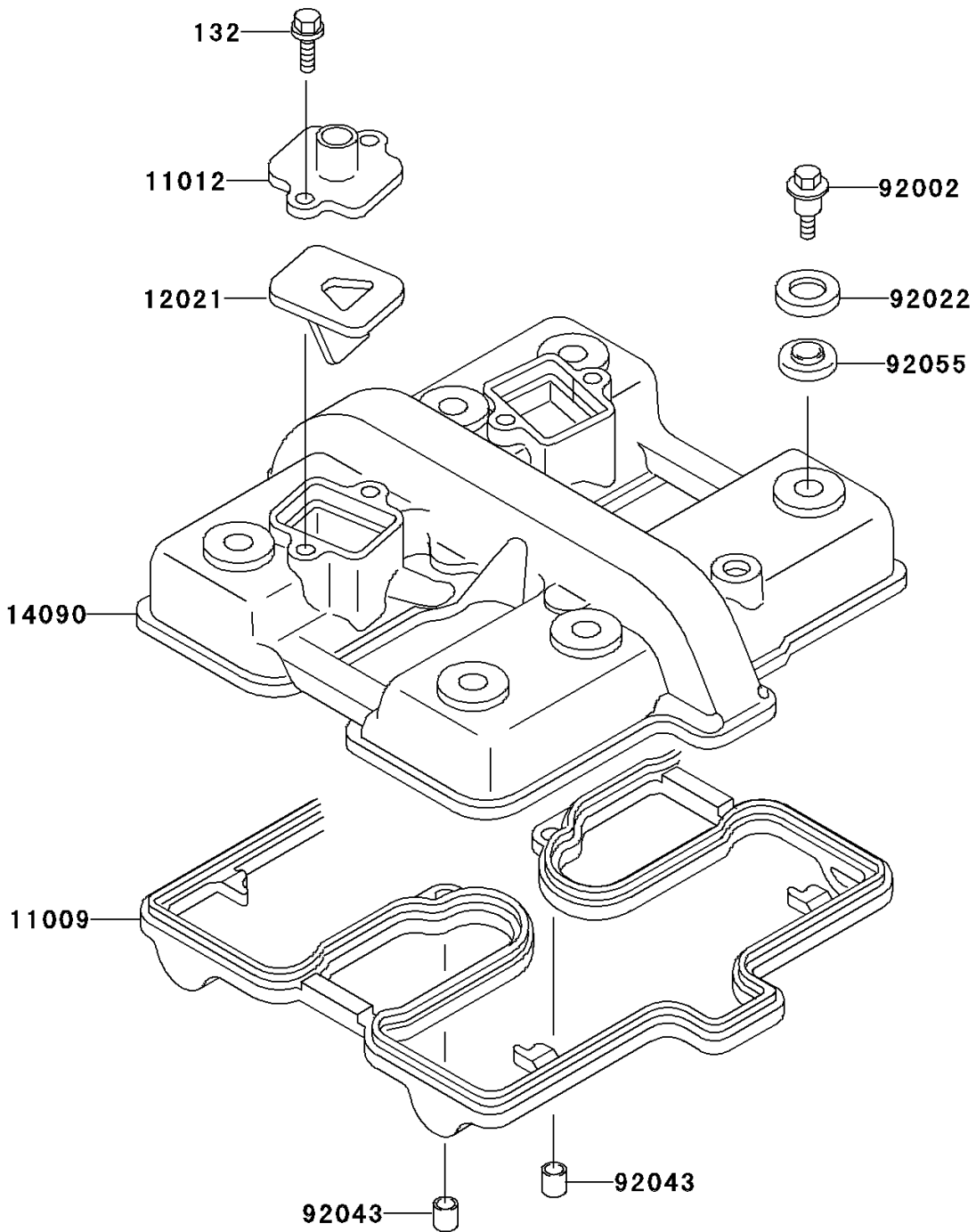


2003 Vulcan 500 LTD PARTS DIAGRAM

Cylinder Head Cover

E1112



2003 Vulcan 500 LTD PARTS LIST

Cylinder Head Cover

| ITEM NAME | PART NUMBER | QUANTITY |
|------------------------------------------|-------------|----------|
| BOLT-FLANGED-SMALL (Ref # 132) | 132Y0616 | 4 |
| GASKET,CYLINDER HEAD COVER (Ref # 11009) | 11009-1483 | 1 |
| CAP,REED VALVE (Ref # 11012) | 11012-1949 | 2 |
| VALVE-ASSY-REED (Ref # 12021) | 12021-1026 | 2 |
| COVER,HEAD (Ref # 14090) | 14090-1660 | 1 |
| BOLT (Ref # 92002) | 92002-1595 | 6 |
| WASHER,HEAD COVER BOLT (Ref # 92022) | 92022-1637 | 6 |
| PIN,DOWEL,8X10 (Ref # 92043) | 92043-1302 | 2 |
| RING-O,HEAD COVER BOLT (Ref # 92055) | 92055-1225 | 6 |