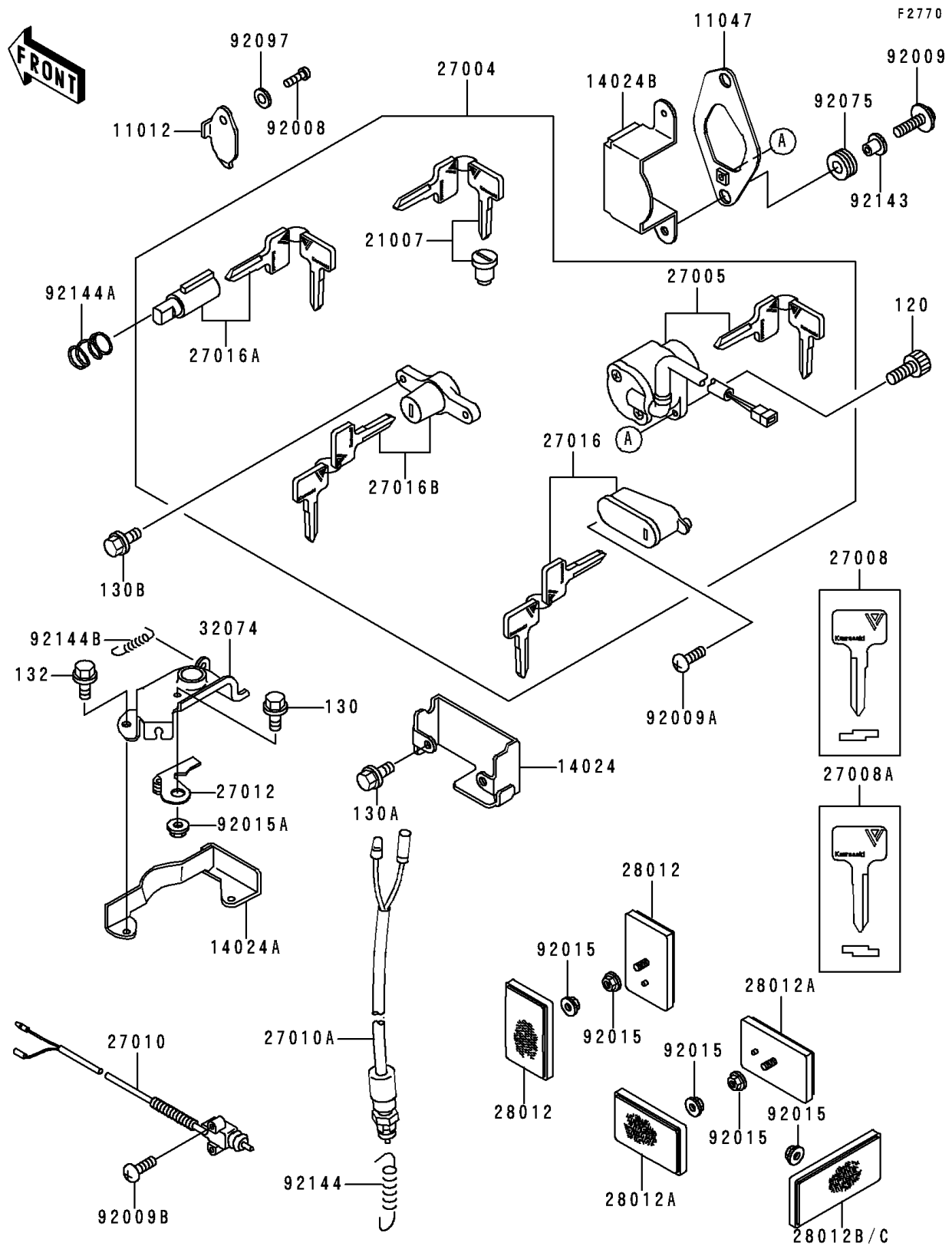


## 1991 Vulcan 500 PARTS DIAGRAM

Ignition Switch/Locks/Reflectors



## 1991 Vulcan 500 PARTS LIST

Ignition Switch/Locks/Reflectors

ITEM NAME	PART NUMBER	QUANTITY
BOLT-SOCKET (Ref # 120)	120P0512	1
BOLT-FLANGED (Ref # 130)	130B0510	1
BOLT-FLANGED (Ref # 130A)	130C0510	1
BOLT-FLANGED (Ref # 130B)	130D0608	1
BOLT-FLANGED-SMALL,6X10 (Ref # 132)	132J0610	1
CAP,STEERING LOCK (Ref # 11012)	11012-1736	1
BRACKET,IGNITION SWITCH (Ref # 11047)	11047-1075	1
COVER,SEAT LOCK,RR (Ref # 14024)	14024-1882	1
COVER,SEAT LOCK,FR (Ref # 14024A)	14024-1952	1
COVER,IGNITION SWITCH (Ref # 14024B)	14024-1957	1
ROTOR,LOCK,TANK CAP (Ref # 21007)	21007-5024	1
SWITCH-ASSY (Ref # 27004)	27004-5379	1
SWITCH-ASSY-IGNITION (Ref # 27005)	27005-1148	1
KEY-LOCK,BLANK,#A (Ref # 27008)	27008-1138	1
KEY-LOCK,BLANK,#B (Ref # 27008A)	27008-1139	1
SWITCH,SIDE STAND (Ref # 27010)	27010-1223	1
SWITCH,REAR BRAKE (Ref # 27010A)	27010-1238	1
HOOK,SEAT LOCK (Ref # 27012)	27012-1421	1
LOCK-ASSY,HELMET (Ref # 27016)	27016-5129	1
LOCK-ASSY,STEERING (Ref # 27016A)	27016-5131	1
LOCK-ASSY,SEAT (Ref # 27016B)	27016-5162	1
REFLECTOR-REFLEX,FR (Ref # 28012)	28012-1009	1
REFLECTOR-REFLEX,RR (Ref # 28012A)	28012-1051	1
REFLECTOR-REFLEX (Ref # 28012B)	28012-1057	1
BRACKET-LOCK,SEAT (Ref # 32074)	32074-1141	1
SCREW,3.51MM (Ref # 92008)	92008-007	1
SCREW,6X22,BLACK (Ref # 92009)	92009-1256	1
SCREW,5X12 (Ref # 92009A)	92009-1296	1
SCREW,5X20 (Ref # 92009B)	92009-1459	1

## 1991 Vulcan 500 PARTS LIST

Ignition Switch/Locks/Reflectors

ITEM NAME	PART NUMBER	QUANTITY
NUT,FLANGED,5MM (Ref # 92015)	92015-1259	1
NUT,5MM (Ref # 92015A)	92015-1812	1
DAMPER (Ref # 92075)	92075-051	1
WASHER,WAVE (Ref # 92097)	92097-003	1
COLLAR,L=7.4 (Ref # 92143)	92143-1019	1
SPRING,REAR BRAKE SWITCH (Ref # 92144)	92144-1141	1
SPRING,STEERING LOCK (Ref # 92144A)	92144-1222	1
SPRING (Ref # 92144B)	92144-1520	1