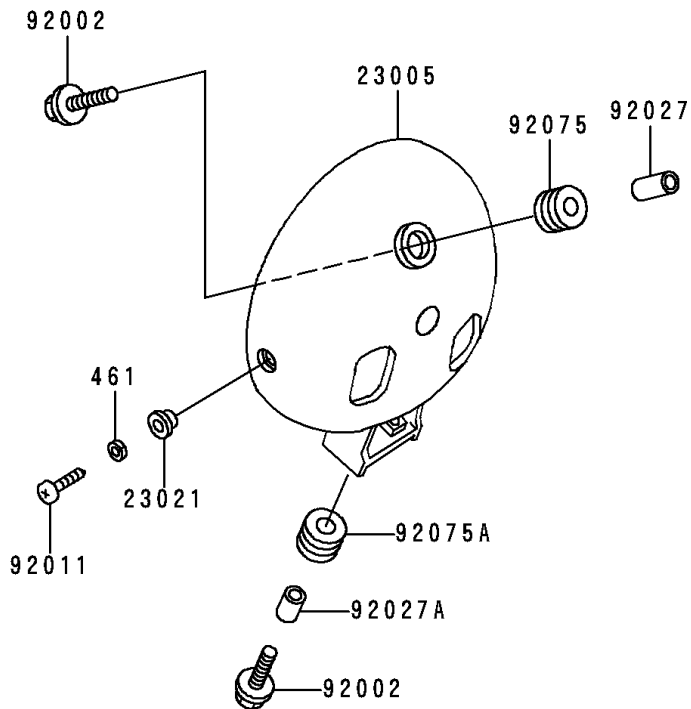
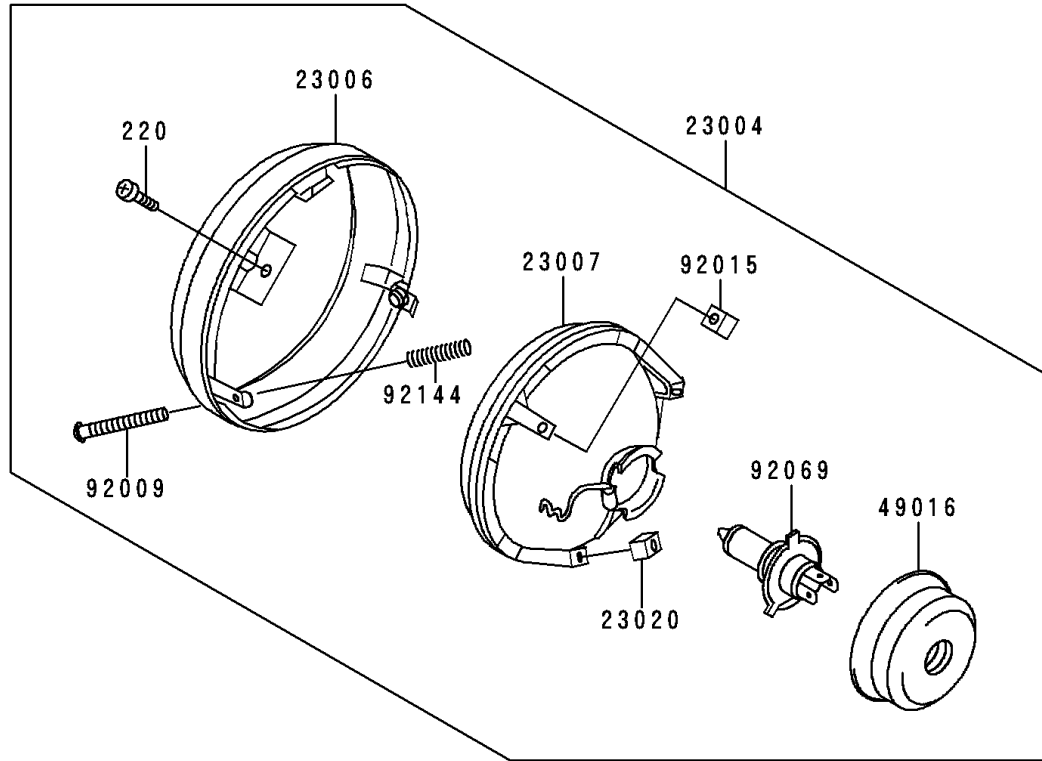


1990 Vulcan 500 PARTS DIAGRAM

Headlight

F2710



1990 Vulcan 500 PARTS LIST

Headlight

ITEM NAME	PART NUMBER	QUANTITY
SCREW-PAN-CROS,5X12 (Ref # 220)	220D0512	1
WASHER-SPRING,5MM (Ref # 461)	461F0500	2
LAMP-HEAD (Ref # 23004)	23004-1221	1
BODY-COMP-HEAD LAMP (Ref # 23005)	23005-1105	1
RIM-LAMP (Ref # 23006)	23006-1059	1
LENS-COMP,HEAD LAMP (Ref # 23007)	23007-1169	1
NUT,4MM,FOCUS ADJUST (Ref # 23020)	23020-018	2
WASHER (Ref # 23021)	23021-010	2
COVER-SEAL,HEAD LAMP SOCKET (Ref # 49016)	49016-1129	1
BOLT,6X25 (Ref # 92002)	92002-1135	3
SCREW,FOCUS ADJUST,4X65 (Ref # 92009)	92009-1472	2
SCREW,5MM (Ref # 92011)	92011-024	2
NUT,5MM (Ref # 92015)	92015-1157	1
COLLAR,6.8X10X14.5 (Ref # 92027)	92027-156	1
COLLAR,6.8X10X12 (Ref # 92027A)	92027-162	2
BULB,12V 60/55W,H4 (Ref # 92069)	92069-1002	1
DAMPER (Ref # 92075)	92075-1035	1
DAMPER (Ref # 92075A)	92075-1690	2
SPRING,FOCUS ADJUST (Ref # 92144)	92144-1149	2