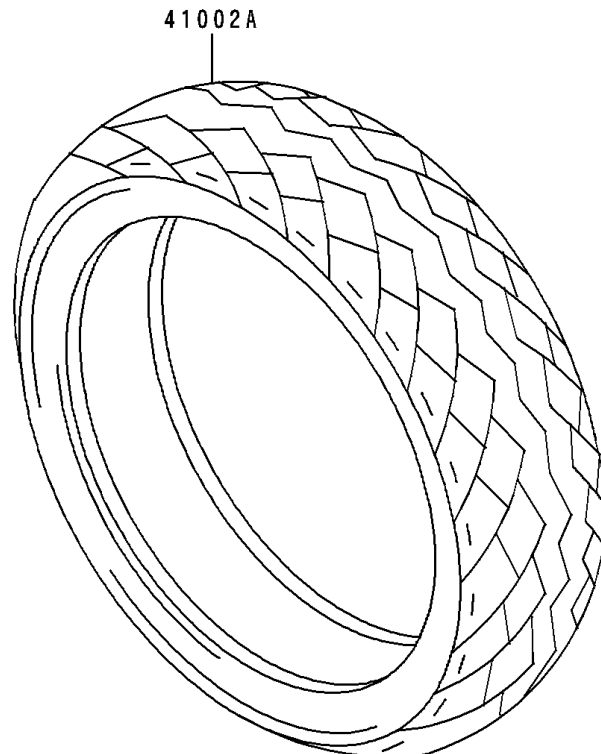
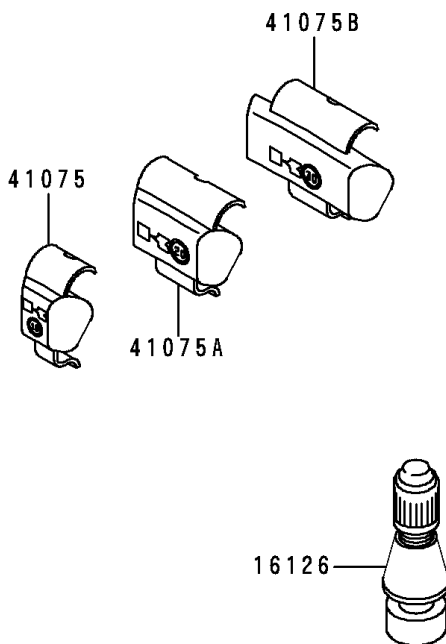
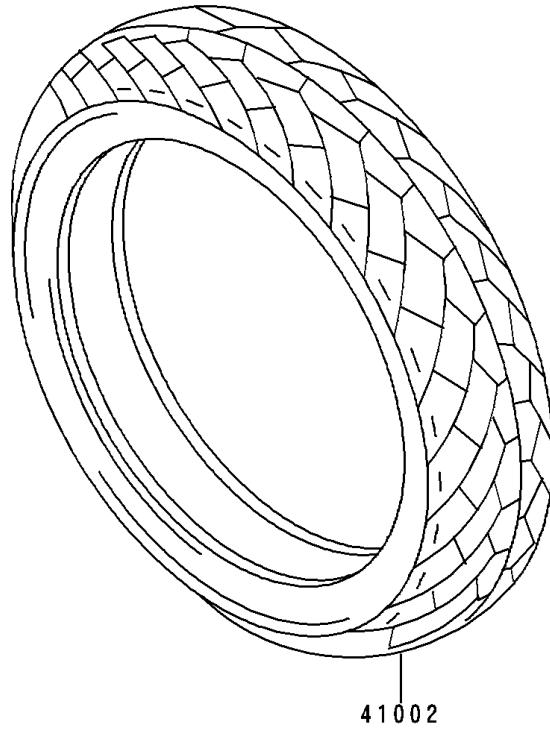
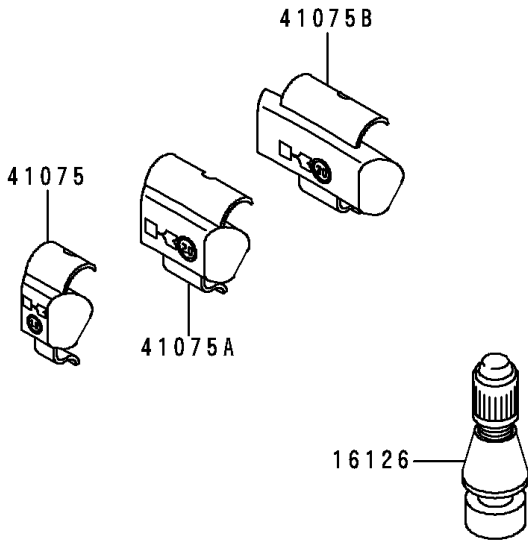


1990 Vulcan 500 PARTS DIAGRAM

Tires

F2210



1990 Vulcan 500 PARTS LIST

Tires

| ITEM NAME | PART NUMBER | QUANTITY |
|---|-------------|----------|
| VALVE,TIRE (Ref # 16126) | 16126-1140 | 2 |
| TIRE,FR,100/90-19 57S,G523(BS) (Ref # 41002) | 41002-1527 | 1 |
| TIRE,RR,140/90-15 M/C 70S,G524 (Ref # 41002A) | 41002-1728 | 1 |
| BALANCER-WHEEL,10G,SILVER (Ref # 41075) | 41075-1014 | AR |
| BALANCER-WHEEL,20G,SILVER (Ref # 41075A) | 41075-1015 | AR |
| BALANCER-WHEEL,30G,SILVER (Ref # 41075B) | 41075-1016 | AR |