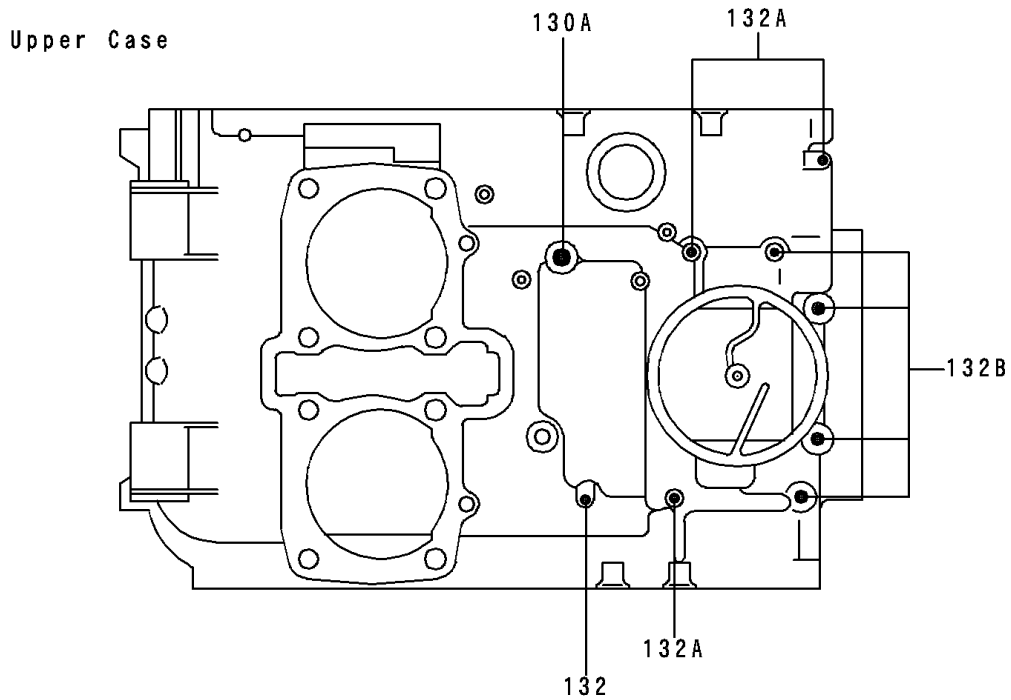


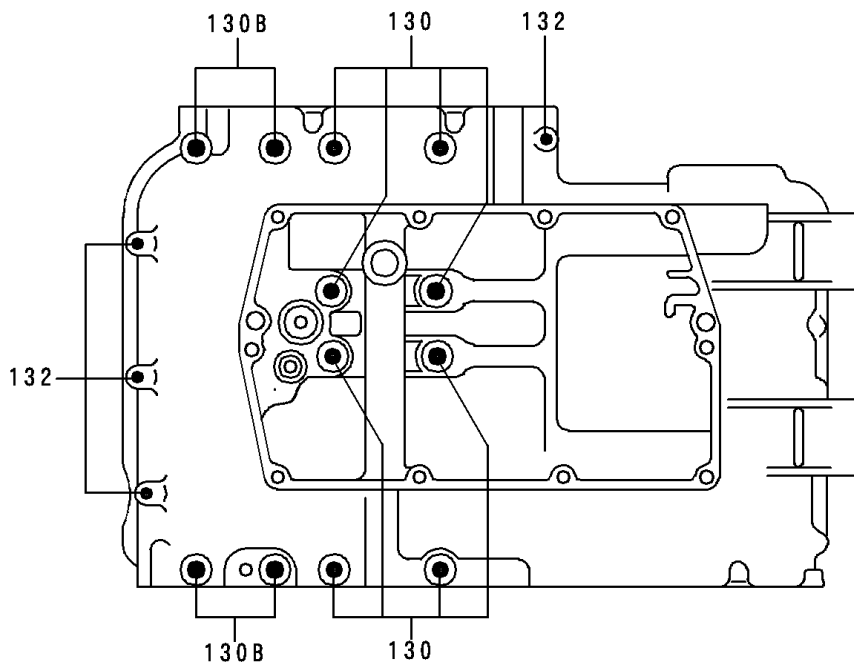
## 1994 Vulcan 500 PARTS DIAGRAM

Crankcase Bolt Pattern

E1412



Lower Case



## 1994 Vulcan 500 PARTS LIST

Crankcase Bolt Pattern

| ITEM NAME                       | PART NUMBER | QUANTITY |
|---------------------------------|-------------|----------|
| BOLT-FLANGED (Ref # 130)        | 130Z08100   | 1        |
| BOLT-FLANGED (Ref # 130A)       | 130Z0855    | 1        |
| BOLT-FLANGED (Ref # 130B)       | 130Z0875    | 1        |
| BOLT-FLANGED-SMALL (Ref # 132)  | 132Y0640    | 1        |
| BOLT-FLANGED-SMALL (Ref # 132A) | 132Y0660    | 1        |
| BOLT-FLANGED-SMALL (Ref # 132B) | 132Y0680    | 1        |