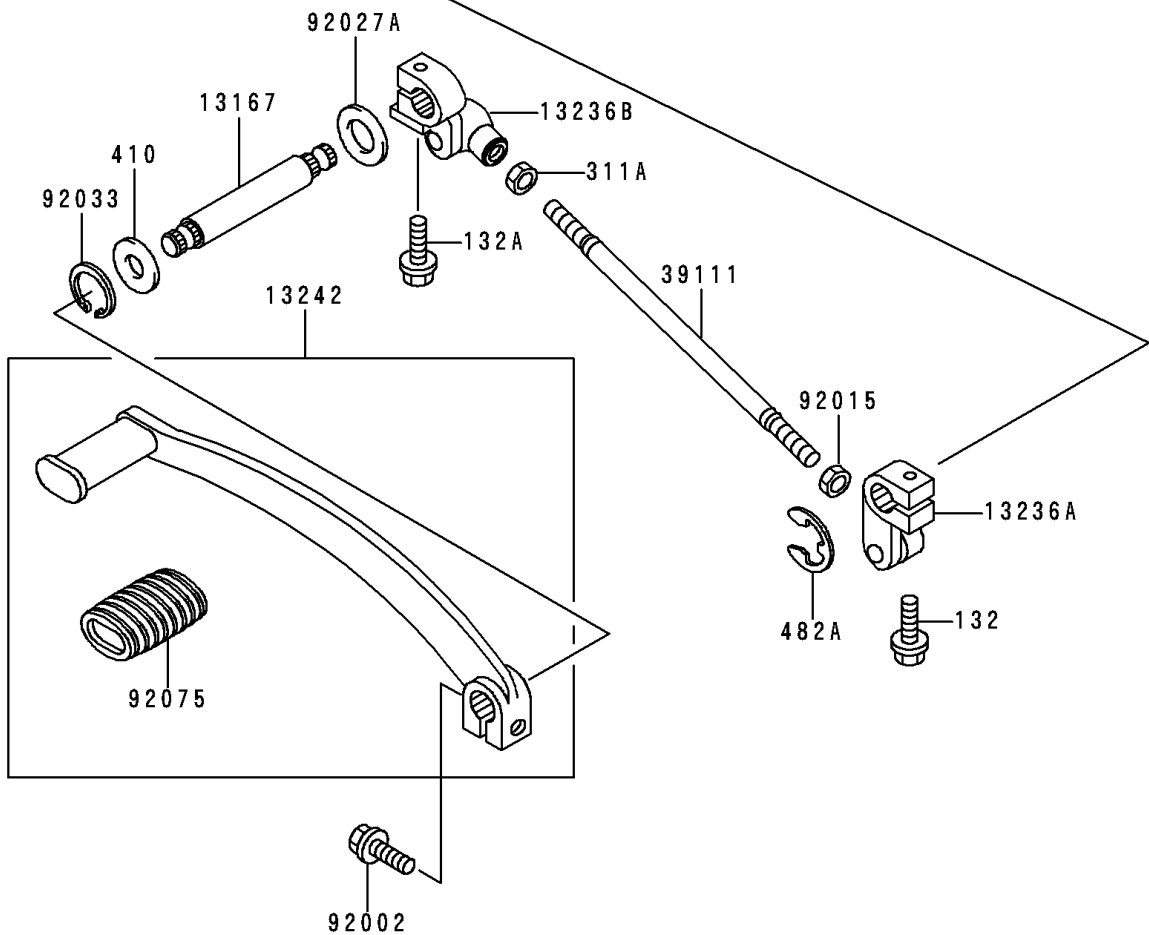
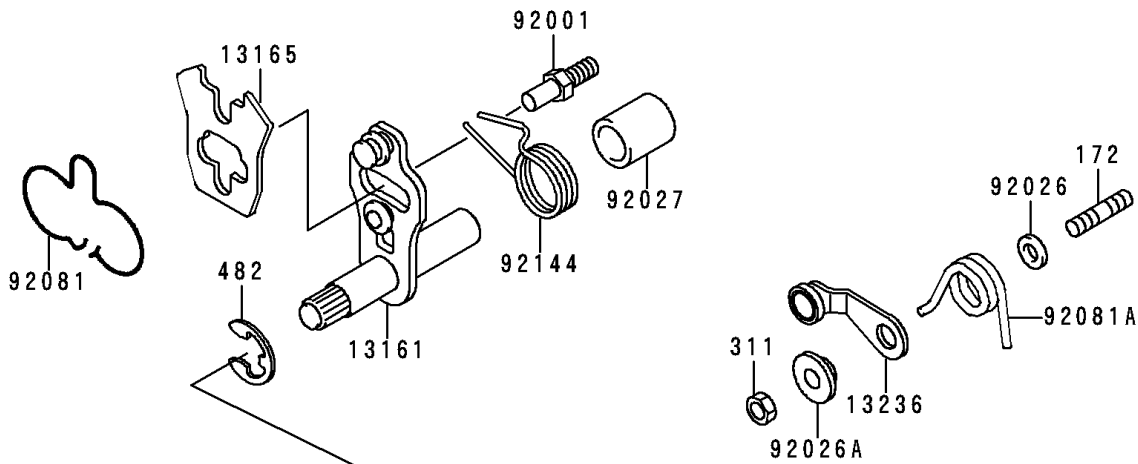


# 1990 Vulcan 500 PARTS DIAGRAM

Gear Change Mechanism

E1370



# 1990 Vulcan 500 PARTS LIST

## Gear Change Mechanism

ITEM NAME	PART NUMBER	QUANTITY
BOLT-FLANGED-SMALL (Ref # 132)	132J0620	1
BOLT-FLANGED-SMALL (Ref # 132A)	132J0625	1
BOLT-STUD,6X14 (Ref # 172)	172G0614	1
NUT-HEX,6MM (Ref # 311)	311G0600	1
NUT-HEX (Ref # 311A)	311J0600	1
WASHER-PLAIN-SMALL,12MM,BLACK (Ref # 410)	410F1200	1
CIRCLIP-TYPE-E,12MM (Ref # 482)	482J0200	1
CIRCLIP-TYPE-E (Ref # 482A)	482L7000	1
LEVER-COMP-CHANGE SHAFT (Ref # 13161)	13161-1117	1
PAWL,CHANGE LEVER (Ref # 13165)	13165-1034	1
SHAFT-CHANGE (Ref # 13167)	13167-1059	1
LEVER-COMP,GEAR POSITION (Ref # 13236)	13236-1103	1
LEVER-COMP,CHANGE (Ref # 13236A)	13236-1123	1
LEVER-COMP,CHANGE (Ref # 13236B)	13236-1124	1
LEVER-ASSY-CHANGE,PEDAL (Ref # 13242)	13242-1201	1
ROD-TIE (Ref # 39111)	39111-1071	1
BOLT,RETURN SPRING (Ref # 92001)	92001-1455	1
BOLT,6X20 (Ref # 92002)	92002-1237	1
NUT (Ref # 92015)	92015-1178	1
SPACER,6.3X12X1.0 (Ref # 92026)	92026-094	1
SPACER (Ref # 92026A)	92026-1217	1
COLLAR,13X18.3X21.5 (Ref # 92027)	92027-1440	1
COLLAR,13.2X22X5.5 (Ref # 92027A)	92027-1855	1
RING-SNAP,11MM (Ref # 92033)	92033-1189	1
DAMPER,CHANGE PEDAL (Ref # 92075)	92075-1585	1
SPRING,CHANGE LEVER (Ref # 92081)	92081-1785	1
SPRING,POSITION LEVER (Ref # 92081A)	92081-1786	1
SPRING,CHANGE PEDAL RETURN (Ref # 92144)	92144-1644	1