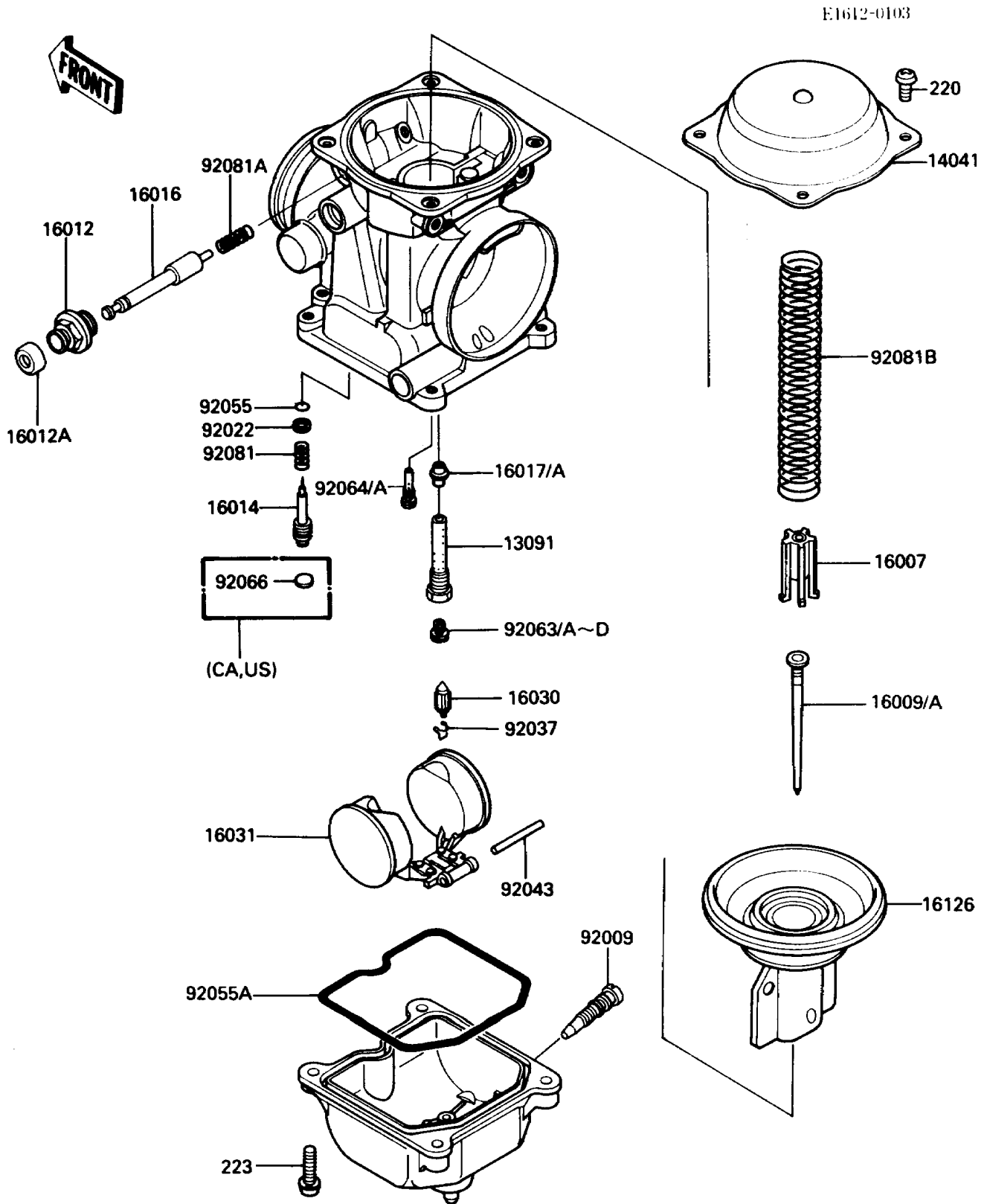


1988 454 LTD PARTS DIAGRAM

Carburetor Parts



1988 454 LTD PARTS LIST

Carburetor Parts

| ITEM NAME | PART NUMBER | QUANTITY |
|--|-------------|----------|
| HOLDER,NEEDLE JET (Ref # 13091) | 13091-1347 | 1 |
| COVER-COMP,MIXING CHAMBER (Ref # 14041) | 14041-1065 | 1 |
| SEAT-SPRING,VALVE (Ref # 16007) | 16007-1117 | 1 |
| NEEDLE-JET,N31D (Ref # 16009) | 16009-1257 | 1 |
| NEEDLE-JET,N31E (Ref # 16009A) | 16009-1258 | 1 |
| CAP-STARTER PLUNGER (Ref # 16012) | 16012-1051 | 1 |
| CAP-STARTER PLUNGER (Ref # 16012A) | 16012-1052 | 1 |
| SCREW-PILOT AIR (Ref # 16014) | 16014-1054 | 1 |
| PLUNGER,STARTER (Ref # 16016) | 16016-1061 | 1 |
| JET-NEEDLE,01B38 (Ref # 16017) | 16017-1276 | 1 |
| JET-NEEDLE (Ref # 16017A) | 16017-1277 | 1 |
| VALVE-FLOAT (Ref # 16030) | 16030-1007 | 1 |
| FLOAT (Ref # 16031) | 16031-1056 | 1 |
| VALVE,VACUUM,60PS (Ref # 16126) | 16126-1173 | 1 |
| SCREW,DRAIN,M6X1.0 (Ref # 92009) | 92009-1434 | 1 |
| WASHER,PLAIN (Ref # 92022) | 92022-1003 | 1 |
| CLAMP,FLOAT VALVE (Ref # 92037) | 16044-007 | 1 |
| PIN,FLOAT (Ref # 92043) | 92043-1207 | 1 |
| RING-O,PILOT ADJUST (Ref # 92055) | 92055-1002 | 1 |
| RING-O,FLOAT CHAMBER (Ref # 92055A) | 92055-1222 | 1 |
| JET-MAIN,2ND,#125 (Ref # 92063) | 92063-1069 | 1 |
| JET-MAIN,#120 (Ref # 92063A) | 92063-1072 | 1 |
| JET-MAIN,2ND,#122 (Ref # 92063B) | 92063-1073 | 1 |
| JET-MAIN,2ND,#128 (Ref # 92063C) | 92063-1074 | 1 |
| JET-MAIN,#130 (Ref # 92063D) | 92063-1075 | 1 |
| JET-PILOT,#35 (Ref # 92064) | 92064-1101 | 1 |
| JET-PILOT,#32 (Ref # 92064A) | 92064-1117 | 1 |
| PLUG,PILOT AIR SCREW,6.9X2 (Ref # 92066) | 92066-1051 | 1 |
| SPRING,PILOT ADJUST SCREW (Ref # 92081) | 92081-1002 | 1 |

1988 454 LTD PARTS LIST

Carburetor Parts

| ITEM NAME | PART NUMBER | QUANTITY |
|---------------------------------------|-------------|----------|
| SPRING,STARTER PLUNGER (Ref # 92081A) | 92081-1761 | 1 |
| SPRING,VACUUM VALVE (Ref # 92081B) | 92081-1874 | 1 |
| SCREW-PAN-CROS (Ref # 220) | 220B0408 | 1 |
| SCREW-PAN-WS-CROS (Ref # 223) | 223C0416 | 1 |