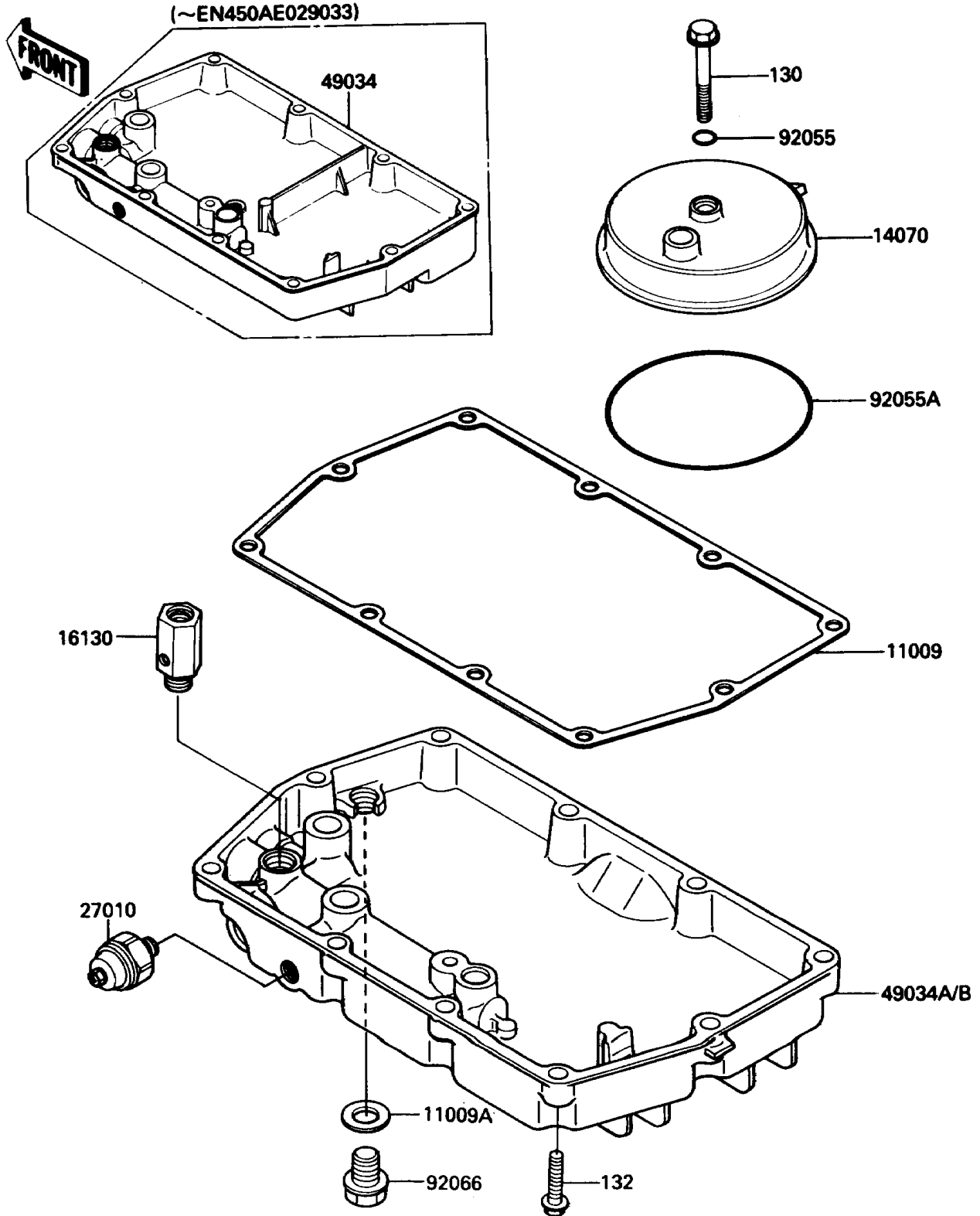


# 1989 454 LTD PARTS DIAGRAM

Breather Cover/Oil Pan

E1432



# 1989 454 LTD PARTS LIST

## Breather Cover/Oil Pan

| ITEM NAME                                | PART NUMBER | QUANTITY |
|--|-------------|----------|
| GASKET,OIL PAN (Ref # 11009)             | 11009-1487  | 1        |
| GASKET,12X22X2,DRAIN PLUG (Ref # 11009A) | 92065-097   | 1        |
| BODY-BREATHER (Ref # 14070)              | 14070-1058  | 1        |
| VALVE-ASSY-RELIEF (Ref # 16130)          | 16130-1001  | 1        |
| SWITCH,OIL PRESSURE (Ref # 27010)        | 27010-1155  | 1        |
| PAN-OIL (Ref # 49034A)                   | 49034-1071  | 1        |
| RING-O,6MM (Ref # 92055)                 | 92055-1089  | 1        |
| RING-O,BREATHER BODY (Ref # 92055A)      | 92055-1284  | 1        |
| PLUG,OIL DRAIN,12X15 (Ref # 92066)       | 92066-1174  | 1        |
| BOLT-FLANGED (Ref # 130)                 | 130Y0645    | 1        |
| BOLT-FLANGED-SMALL (Ref # 132)           | 132J0625    | 10       |