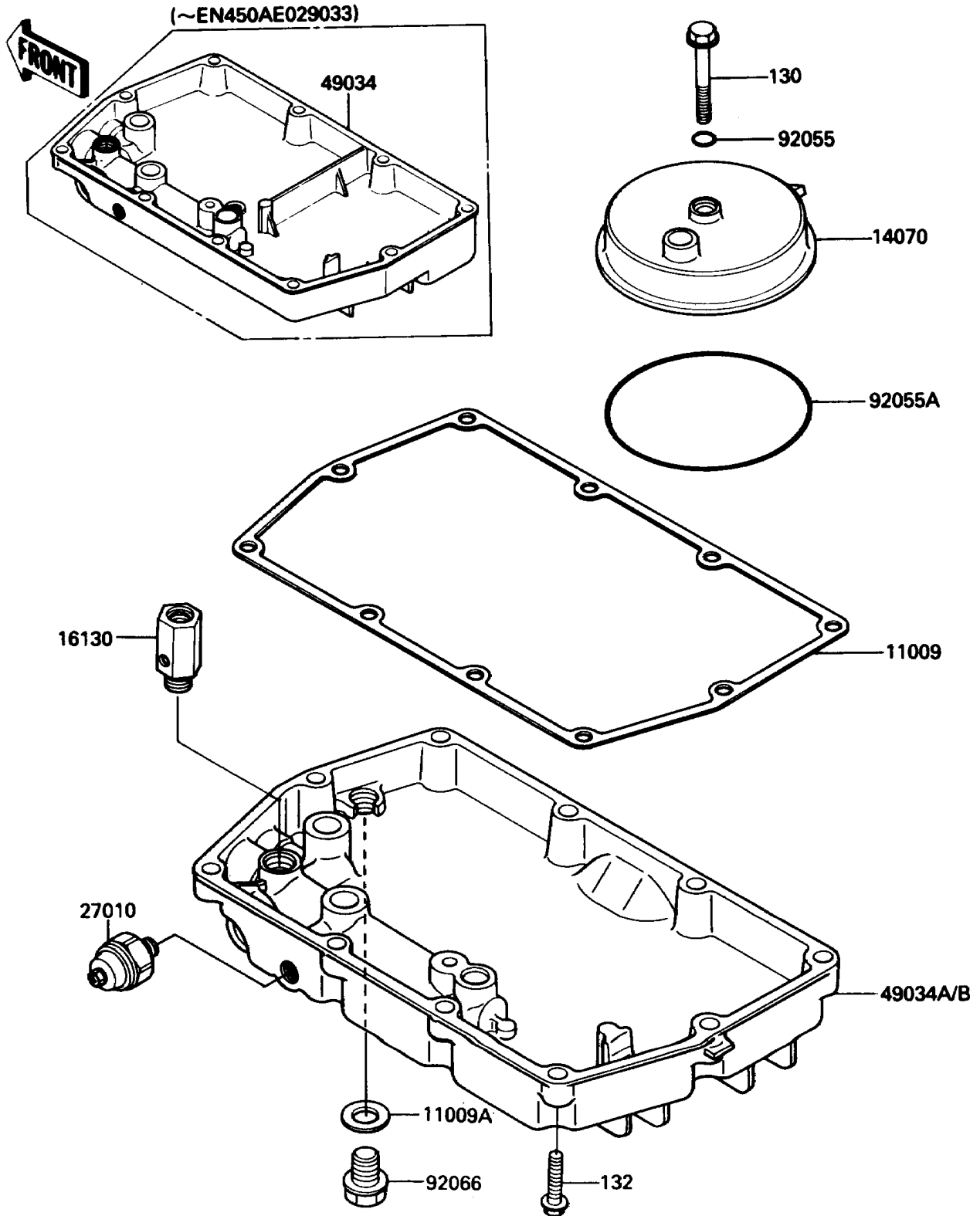


## 1987 454 LTD PARTS DIAGRAM

Breather Cover/Oil Pan

E1432



## 1987 454 LTD PARTS LIST

Breather Cover/Oil Pan

ITEM NAME	PART NUMBER	QUANTITY
GASKET,OIL PAN (Ref # 11009)	11009-1487	1
GASKET,12X22X2,DRAIN PLUG (Ref # 11009A)	92065-097	1
BODY-BREATHER (Ref # 14070)	14070-1058	1
VALVE-ASSY-RELIEF (Ref # 16130)	16130-1001	1
SWITCH,OIL PRESSURE (Ref # 27010)	27010-1155	1
PAN-OIL (Ref # 49034)	49034-1057	1
PAN-OIL (Ref # 49034B)	49034-1071	1
RING-O,6MM (Ref # 92055)	92055-1089	1
RING-O,BREATHER BODY (Ref # 92055A)	92055-1284	1
PLUG,OIL DRAIN,12X15 (Ref # 92066)	92066-1174	1
BOLT-FLANGED (Ref # 130)	130Y0645	1
BOLT-FLANGED-SMALL (Ref # 132)	132J0625	1