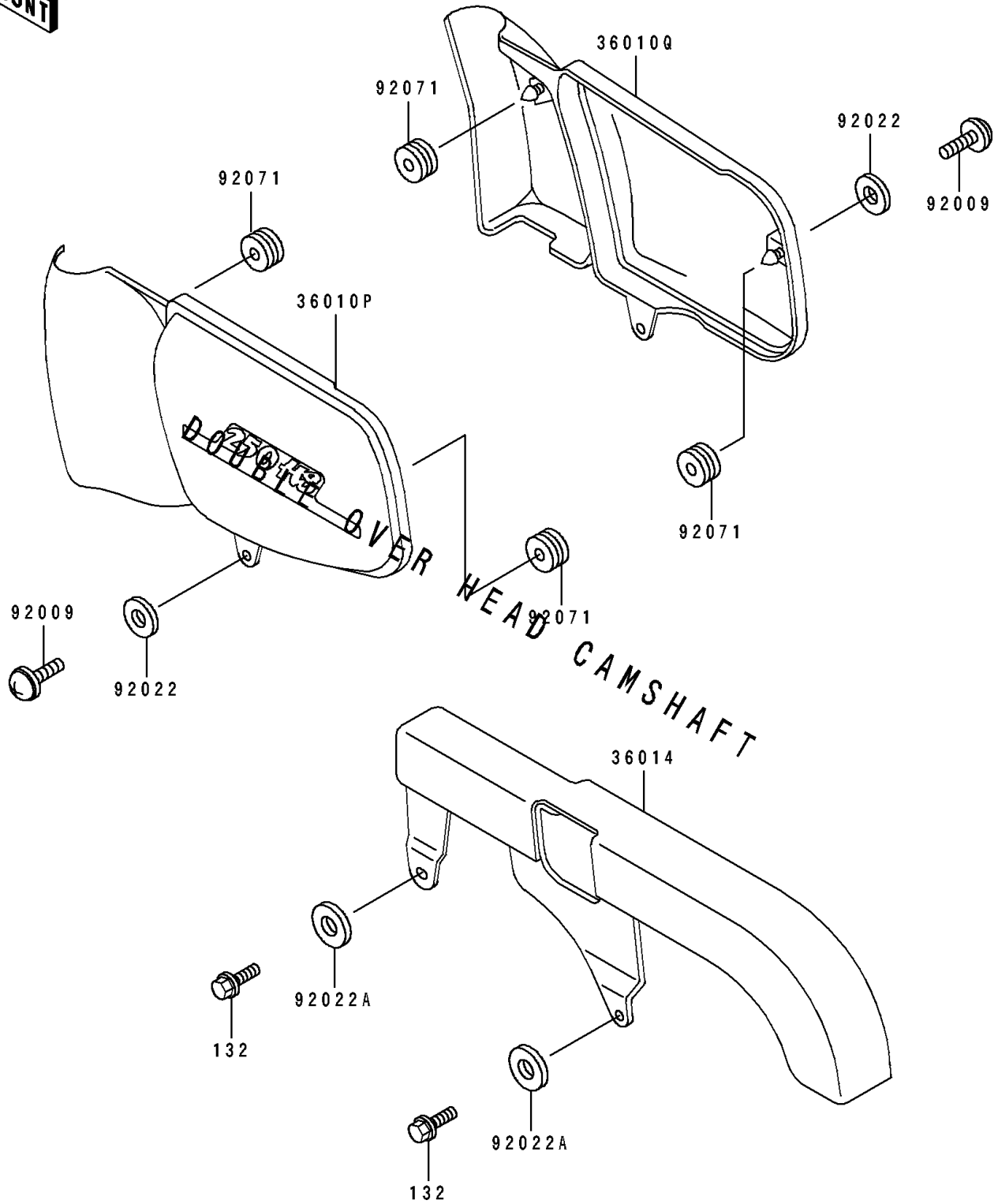


1991 Eliminator 250 PARTS DIAGRAM

Side Covers/Chain Cover

F 2610



1991 Eliminator 250 PARTS LIST

Side Covers/Chain Cover

ITEM NAME	PART NUMBER	QUANTITY
COVER-SIDE,LH,RED/CR PLATED (Ref # 36010P)	36010-5406-HX	1
COVER-SIDE,RH,RED/CR PLATED (Ref # 36010Q)	36010-5407-HX	1
CASE-CHAIN (Ref # 36014)	36014-1148	1
SCREW,6X14,WHITE (Ref # 92009)	92009-1287	1
WASHER,6.5X16X1.0 (Ref # 92022)	92022-1654	1
WASHER,6.5X20X1.6,WHITE (Ref # 92022A)	92022-193	1
GROMMET (Ref # 92071)	92071-056	1
BOLT-FLANGED-SMALL,6X14 (Ref # 132)	132E0614	1