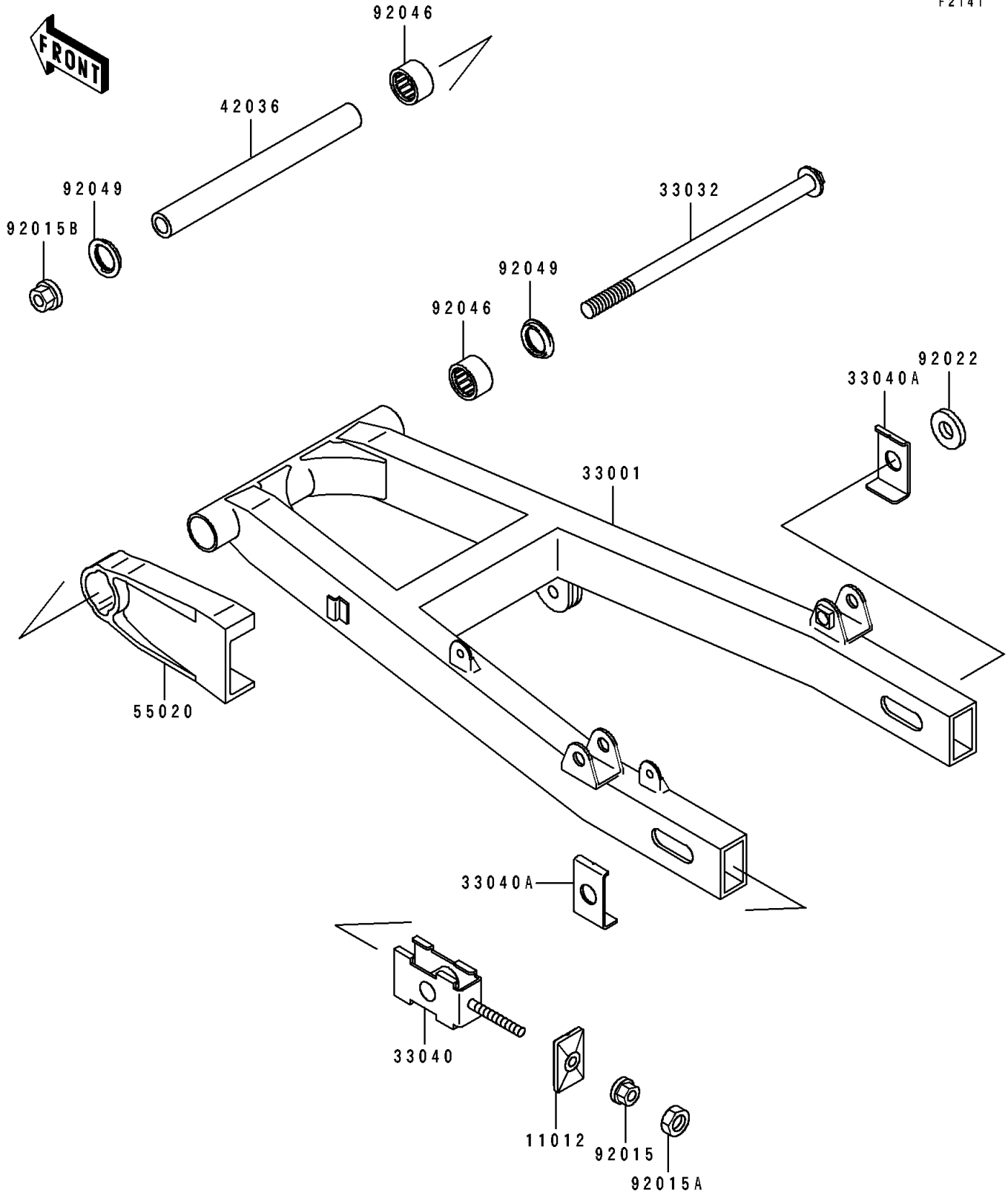


# 1992 Eliminator 250 PARTS DIAGRAM

Swingarm

F2141



# 1992 Eliminator 250 PARTS LIST

## Swingarm

ITEM NAME	PART NUMBER	QUANTITY
CAP,CHAIN ADJUSTER (Ref # 11012)	11012-1596	2
ARM-COMP-SWING,SILVER NO.25 (Ref # 33001)	33001-1298-CE	1
SHAFT-SWING ARM (Ref # 33032)	33032-1109	1
ADJUSTER-CHAIN,INSIDE (Ref # 33040)	33040-1079	2
ADJUSTER-CHAIN,OUTSIDE (Ref # 33040A)	33040-1125	2
SLEEVE,14.1X22X220 (Ref # 42036)	42036-1212	1
GUARD,CHAIN (Ref # 55020)	55020-1218	1
NUT,8MM (Ref # 92015)	92015-1143	2
NUT,8MM (Ref # 92015A)	92015-1364	2
NUT,14MM (Ref # 92015B)	92015-1407	1
WASHER,17.5X34X2.0 (Ref # 92022)	92022-1916	1
BEARING-NEEDLE,TA2230Z (Ref # 92046)	92046-1174	2
SEAL-OIL (Ref # 92049)	92049-1289	2