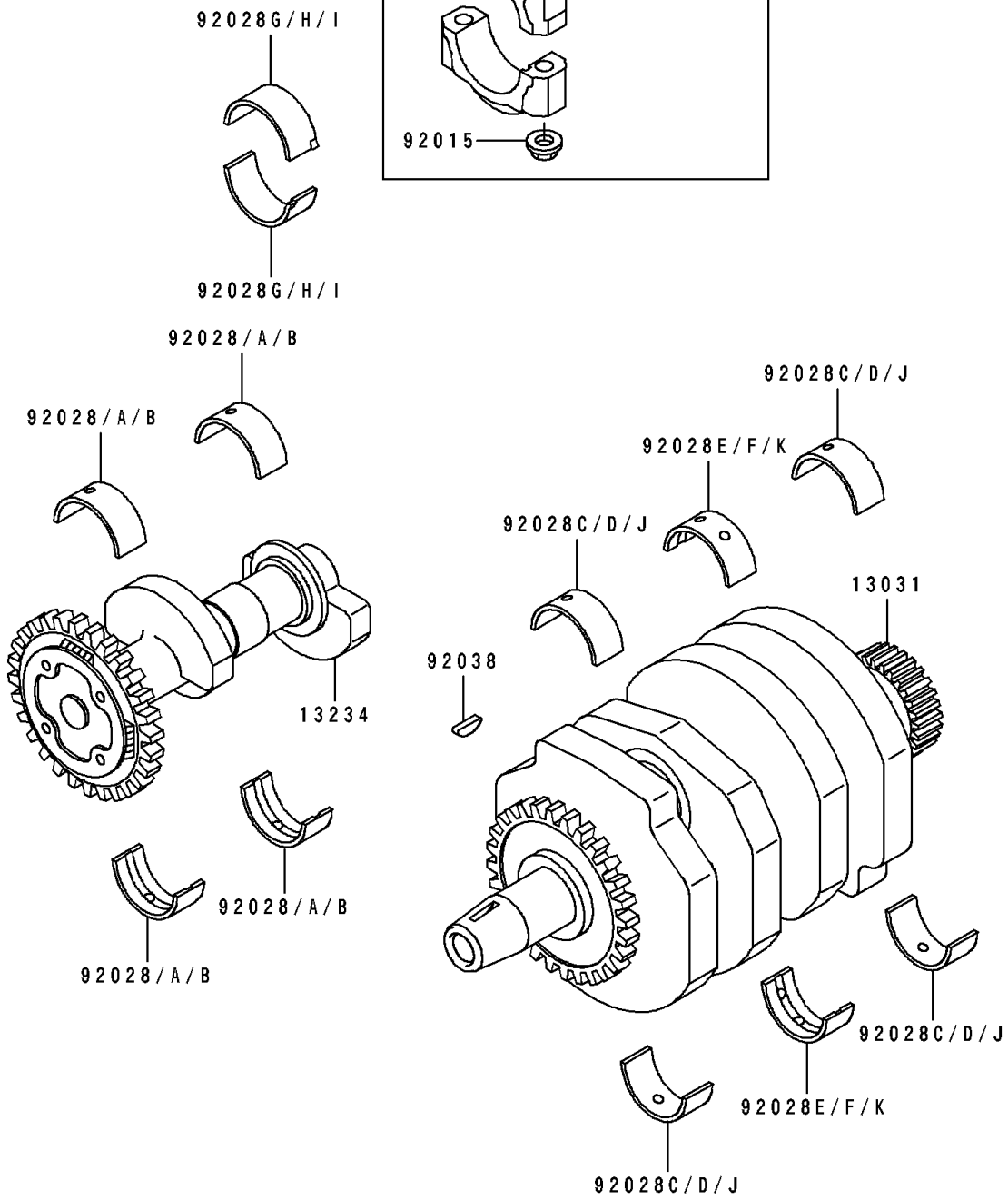
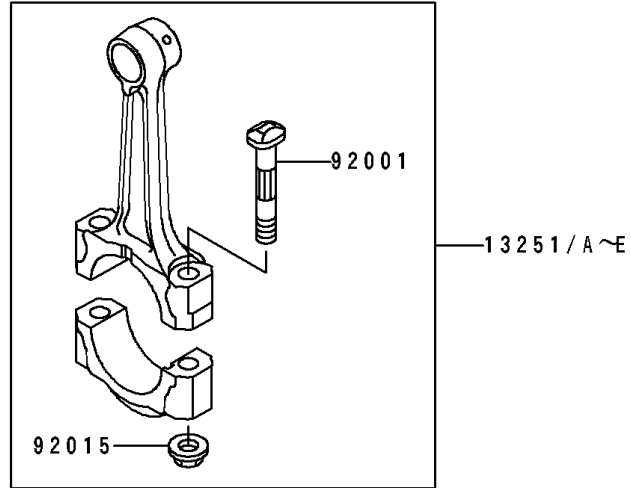


1992 Eliminator 250 PARTS DIAGRAM

Crankshaft

E1321



1992 Eliminator 250 PARTS LIST

Crankshaft

ITEM NAME	PART NUMBER	QUANTITY
CRANKSHAFT-COMP (Ref # 13031)	13031-1265	1
SHAFT-COMP,BALANCER (Ref # 13234)	13234-1065	1
ROD-ASSY-CONNECTING,F (Ref # 13251)	13251-1083-FF	2
ROD-ASSY-CONNECTING,G (Ref # 13251A)	13251-1083-GG	2
ROD-ASSY-CONNECTING,H (Ref # 13251B)	13251-1083-HH	2
ROD-ASSY-CONNECTING,I (Ref # 13251C)	13251-1083-II	2
ROD-ASSY-CONNECTING,J (Ref # 13251D)	13251-1083-JJ	2
ROD-ASSY-CONNECTING,K (Ref # 13251E)	13251-1083-KK	2
BOLT,CONNECTING ROD,7MM (Ref # 92001)	92001-1793	4
NUT,CONNECTING ROD,7MM (Ref # 92015)	92015-1527	4
BUSHING,BALANCER,BLUE (Ref # 92028)	92028-1422	4
BUSHING,BALANCER,BLACK (Ref # 92028A)	92028-1423	AR
BUSHING,BALANCER,BROWN (Ref # 92028B)	92028-1424	AR
BUSHING,CRANKSHAFT,#1&3,BLUE (Ref # 92028C)	92028-1486	AR
BUSHING,CRANKSHAFT,#1&3,BLACK (Ref # 92028D)	92028-1487	AR
BUSHING,CRANKSHAFT,#2,BLUE (Ref # 92028E)	92028-1489	AR
BUSHING,CRANKSHAFT,#2,BLACK (Ref # 92028F)	92028-1490	AR
BUSHING,CONNECTING ROD,BLUE (Ref # 92028G)	92028-1492	AR
BUSHING,CONNECTING ROD,BLACK (Ref # 92028H)	92028-1493	AR
BUSHING,CONNECTING ROD,BROWN (Ref # 92028I)	92028-1494	AR
BUSHING,CRANKSHAFT,#1&3,YELLOW (Ref # 92028J)	92028-1582	AR
BUSHING,CRANKSHAFT,#2,YELLOW (Ref # 92028K)	92028-1586	AR
KEY,WOODRUFF (Ref # 92038)	92038-001	1