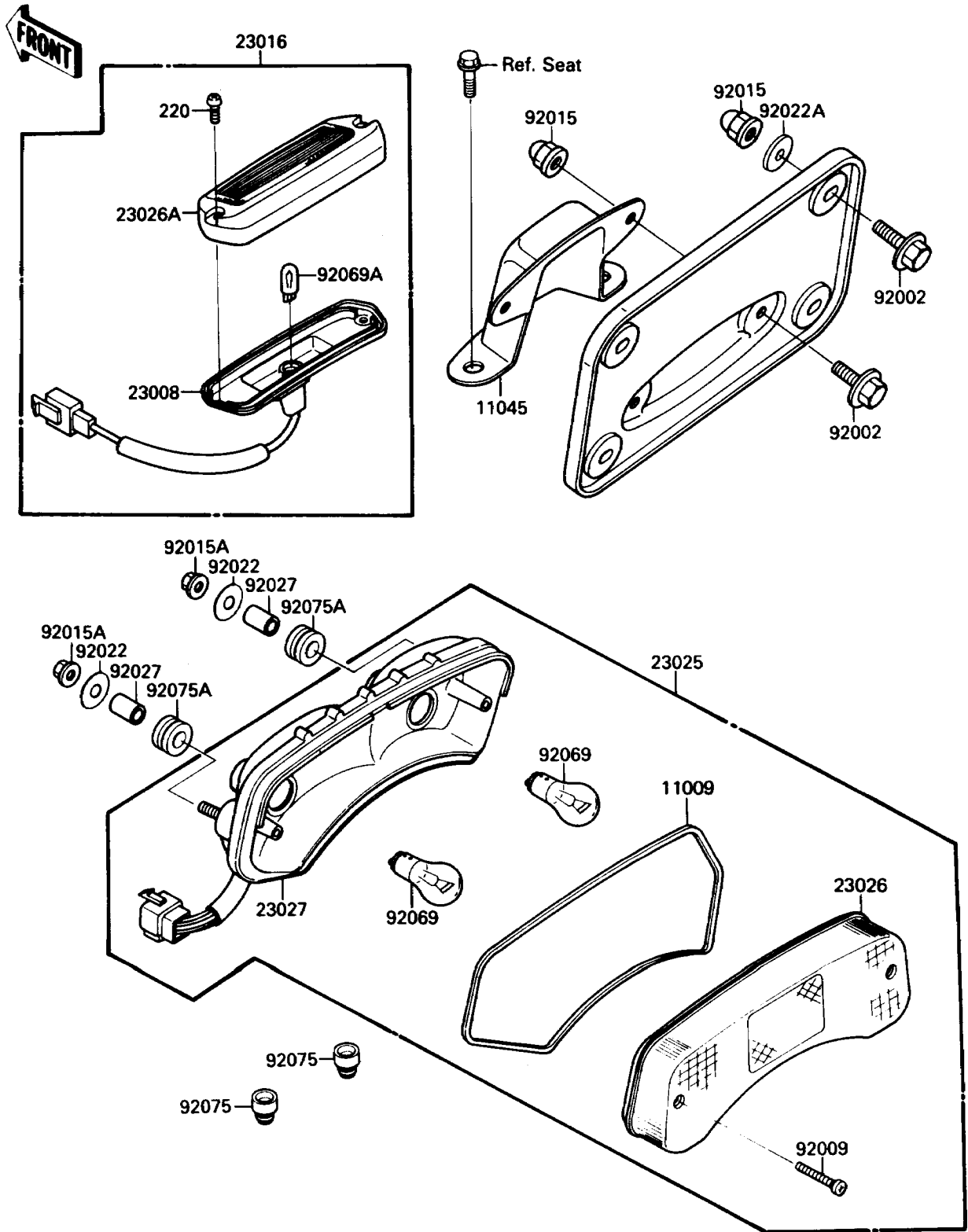


1988 Eliminator PARTS DIAGRAM

Taillight(s)

F2720-0257



1988 Eliminator PARTS LIST

Taillight(s)

ITEM NAME	PART NUMBER	QUANTITY
GASKET,TAIL LAMP LENS (Ref # 11009)	11009-1524	1
BRACKET,LICENSE PLATE (Ref # 11045)	11045-1797	1
HOLDER,LICENSE PLATE (Ref # 13091)	13091-1500	1
SOCKET-ASSY,LICENSE LAMP (Ref # 23008)	23008-1348	1
LAMP-ASSY,LICENSE (Ref # 23016)	23016-1091	1
LAMP-TAIL (Ref # 23025)	23025-1123	1
LENS,TAIL LAMP (Ref # 23026)	23026-1068	1
LENS,LICENSE LAMP (Ref # 23026A)	23026-1069	1
BODY-COMP-TAIL LAMP (Ref # 23027)	23027-1062	1
BOLT,6X16 (Ref # 92002)	92001-1950	6
SCREW,TAPPING,4X30 (Ref # 92009)	92009-1056	2
NUT,CAP,6MM,BLACK (Ref # 92015)	92015-1170	6
NUT,FLANGED,6MM (Ref # 92015A)	92015-1193	2
WASHER,6.5X20X1.6 (Ref # 92022)	92022-125	2
WASHER,6.5X20X1.6,BLACK (Ref # 92022A)	92022-1346	4
COLLAR,6.8X10X12 (Ref # 92027)	92027-162	2
BULB,12V 27/8W (Ref # 92069)	92069-059	2
BULB,12V 3.4W (Ref # 92069A)	92069-1007	1
DAMPER (Ref # 92075)	92075-035	2
DAMPER (Ref # 92075A)	92075-1690	2
SCREW-PAN-CROS,4X20 (Ref # 220)	220C0420	2