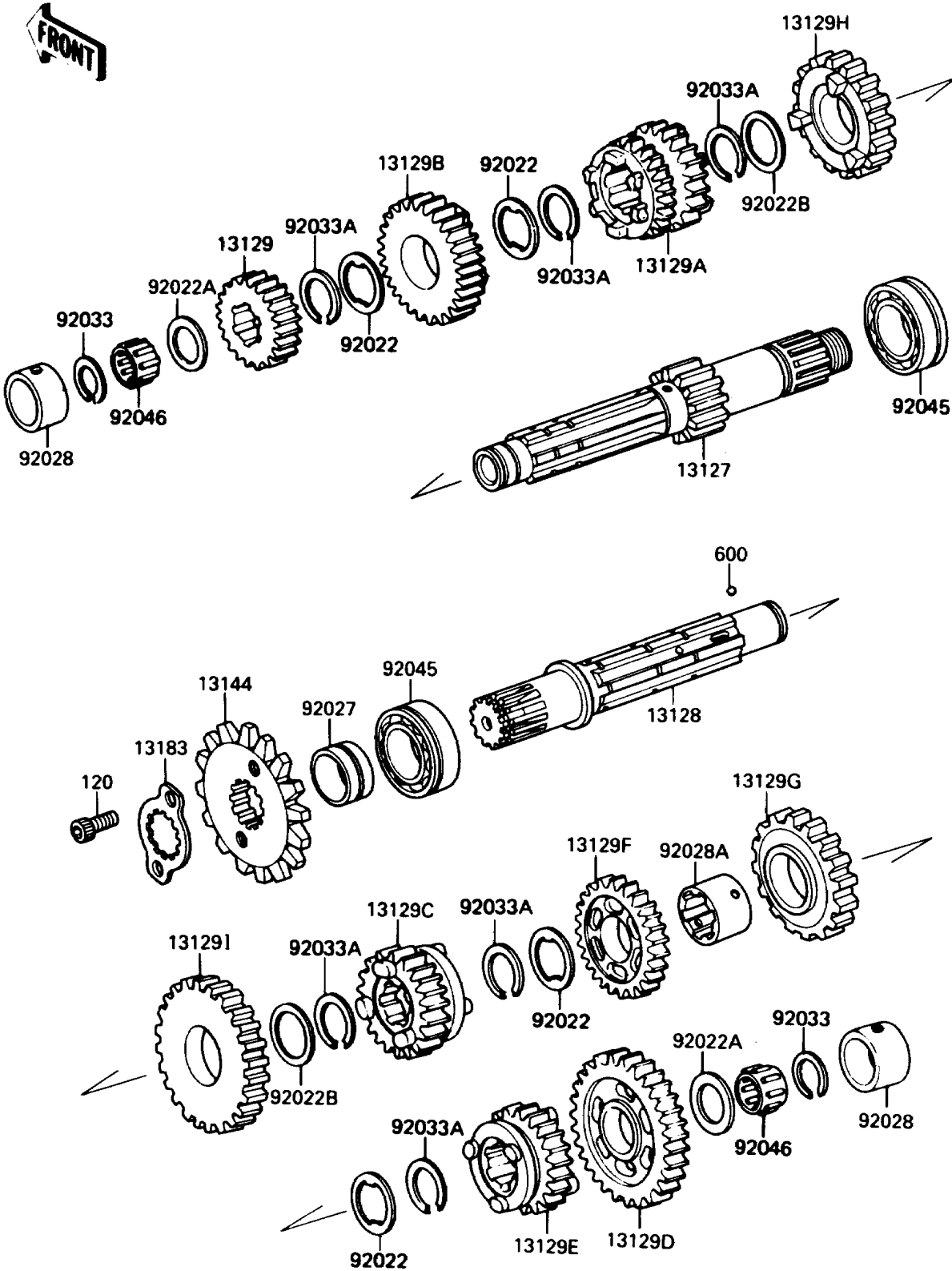


1989 Eliminator PARTS DIAGRAM

Transmission

E1361-0170



1989 Eliminator PARTS LIST

Transmission

| ITEM NAME | PART NUMBER | QUANTITY |
|---|-------------|----------|
| SHAFT-TRANSMISSION INPUT (Ref # 13127) | 13127-1134 | 1 |
| SHAFT-TRANSMISSION OUTPUT (Ref # 13128) | 13128-1147 | 1 |
| GEAR,INPUT 2ND,19T (Ref # 13129) | 13129-1086 | 1 |
| GEAR,INPUT 3RD&4TH,22T&25T (Ref # 13129A) | 13129-1087 | 1 |
| GEAR,INPUT TOP,28T (Ref # 13129B) | 13129-1089 | 1 |
| GEAR,OUTPUT TOP,25T (Ref # 13129C) | 13129-1095 | 1 |
| GEAR,OUTPUT LOW,39T (Ref # 13129D) | 13129-1254 | 1 |
| GEAR,OUTPUT 5TH,27T (Ref # 13129E) | 13129-1255 | 1 |
| GEAR,OUTPUT 3RD,31T (Ref # 13129F) | 13129-1781 | 1 |
| GEAR,OUTPUT 4TH,29T (Ref # 13129G) | 13129-1782 | 1 |
| GEAR,INPUT 5TH,27T (Ref # 13129H) | 13129-1882 | 1 |
| GEAR,OUTPUT 2ND,34T (Ref # 13129I) | 13129-1883 | 1 |
| SPROCKET-OUTPUT,14T (Ref # 13144) | 13144-1126 | 1 |
| PLATE,SPROCKET (Ref # 13183) | 13169-1658 | 1 |
| WASHER,TOOTHED,25.3X30X1 (Ref # 92022) | 92022-1072 | 4 |
| WASHER,20.5X30X1,STEEL (Ref # 92022A) | 92022-112 | 2 |
| WASHER,25.3X30X1 (Ref # 92022B) | 92022-161 | 2 |
| COLLAR,ENGINE SPROCKET (Ref # 92027) | 92027-1302 | 1 |
| BUSHING,25X33X14 (Ref # 92028) | 92028-1426 | 2 |
| BUSHING (Ref # 92028A) | 92028-1437 | 1 |
| RING-SNAP,20MM (Ref # 92033) | 92033-015 | 2 |
| RING-SNAP,24MM (Ref # 92033A) | 92033-026 | 6 |
| BEARING-BALL,#6205NX3 (Ref # 92045) | 92045-1013 | 2 |
| BEARING-NEEDLE,20R2513P (Ref # 92046) | 92046-044 | 2 |
| BOLT-SOCKET,6X10 (Ref # 120) | 120P0610 | 2 |
| BALL-STEEL,5/32" (Ref # 600) | 600A0500 | 3 |