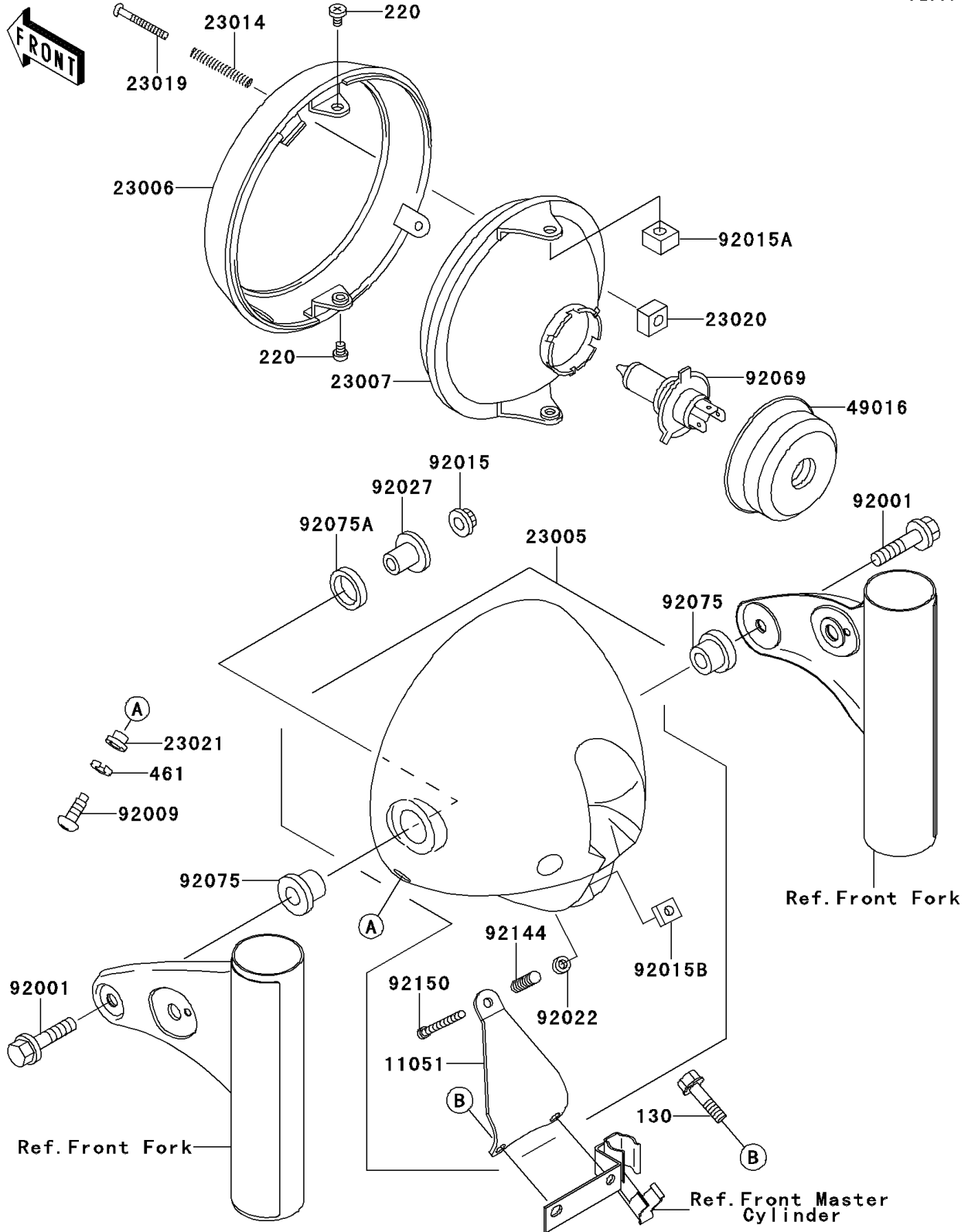


# 2000 W650 PARTS DIAGRAM

Headlight(s)

F2710



## 2000 W650 PARTS LIST

### Headlight(s)

| ITEM NAME                               | PART NUMBER | QUANTITY |
|---|-------------|----------|
| BOLT-FLANGED (Ref # 130)                | 130J0612    | 2        |
| SCREW-PAN-CROS (Ref # 220)              | 220D0510    | 2        |
| WASHER-SPRING,5MM (Ref # 461)           | 461F0500    | 2        |
| BRACKET (Ref # 11051)                   | 11051-1473  | 1        |
| BODY-COMP-HEAD LAMP (Ref # 23005)       | 23005-1177  | 1        |
| RIM-LAMP (Ref # 23006)                  | 23006-1080  | 1        |
| LENS-COMP,HEAD LAMP (Ref # 23007)       | 23007-1361  | 1        |
| SPRING,FOCUS ADJUSTING (Ref # 23014)    | 23014-005   | 1        |
| SCREW,FOCUS ADJUSTING (Ref # 23019)     | 23019-021   | 1        |
| NUT,4MM,FOCUS ADJUST (Ref # 23020)      | 23020-018   | 1        |
| WASHER (Ref # 23021)                    | 23021-010   | 2        |
| COVER-SEAL,HEAD LAMP (Ref # 49016)      | 49016-1046  | 1        |
| BOLT,FLANGED,8X35 (Ref # 92001)         | 92001-1910  | 2        |
| SCREW,5MM (Ref # 92009)                 | 92009-1947  | 2        |
| NUT,FLANGED,8MM (Ref # 92015)           | 92015-1014  | 2        |
| NUT,5MM (Ref # 92015A)                  | 92015-1157  | 2        |
| NUT,5MM,FOCUS ADJUST (Ref # 92015B)     | 92015-1799  | 1        |
| WASHER,5.2X13X1 (Ref # 92022)           | 92022-1380  | 1        |
| COLLAR,L=20 (Ref # 92027)               | 92027-1131  | 2        |
| BULB,12V 60/55W,H4 (Ref # 92069)        | 92069-1002  | 1        |
| DAMPER,HEAD LAMP FITTING (Ref # 92075)  | 92075-1109  | 2        |
| DAMPER,HEAD LAMP FITTING (Ref # 92075A) | 92075-1110  | 2        |
| SPRING (Ref # 92144)                    | 92144-1417  | 1        |
| BOLT,ADJUST,5X45 (Ref # 92150)          | 92150-1590  | 1        |