

2000 W650 PARTS DIAGRAM

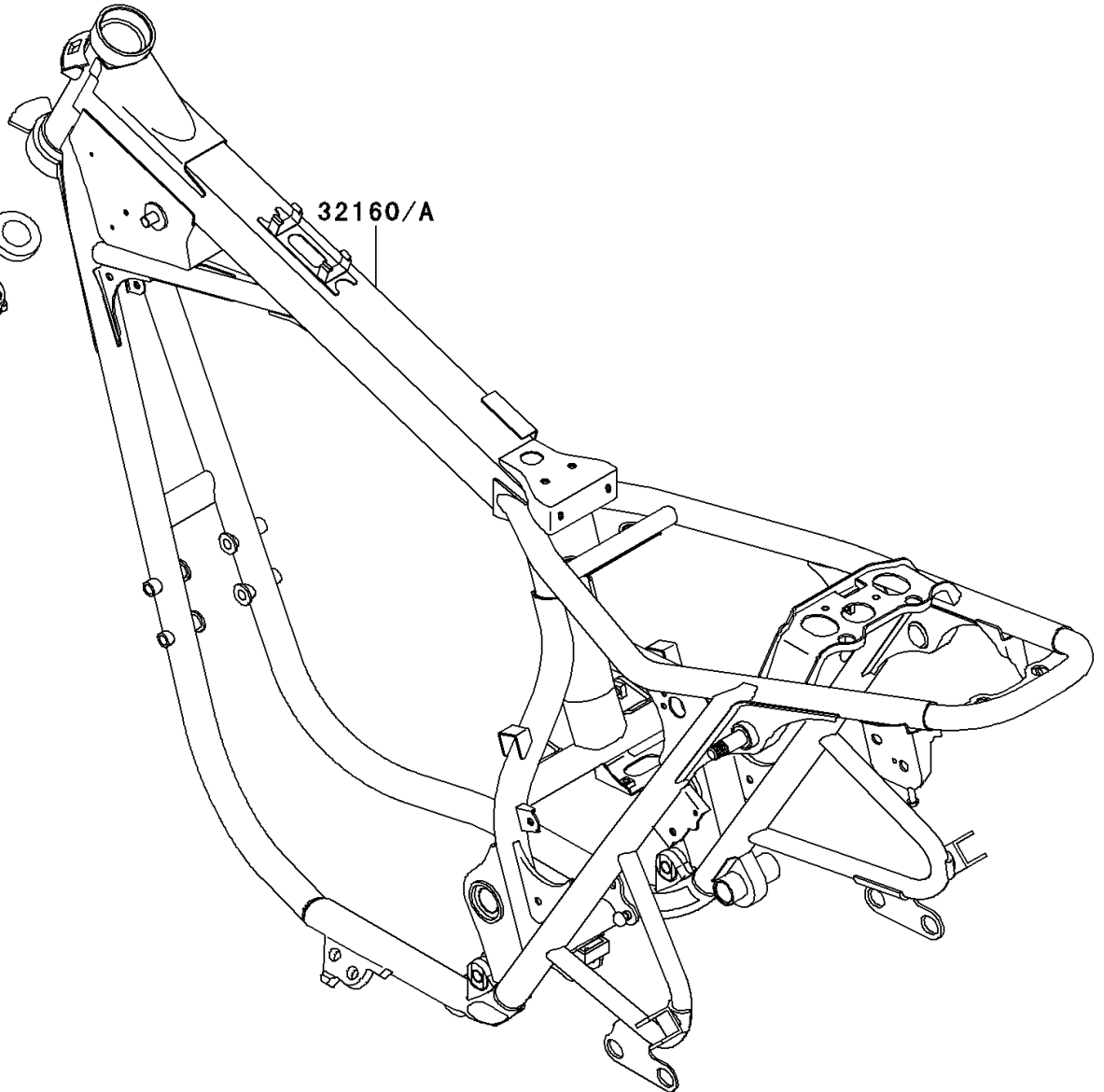
Frame

F2120



- 92015A/92210
- 92200A
- 92200
- 92015
- 92049A
- 92055
- 92116A

- 92116
- 92049
- 32160/A



2000 W650 PARTS LIST

Frame

ITEM NAME	PART NUMBER	QUANTITY
FRAME-COMP (Ref # 32160)	32160-1670	1
NUT,25MM,T=12 (Ref # 92015)	92015-1546	1
NUT,CAP,18MM (Ref # 92015A)	92015-1736	1
SEAL-OIL,XMHE36X52X4J (Ref # 92049)	92049-1162	1
SEAL-OIL,STEERING STEM (Ref # 92049A)	92049-1214	1
RING-O,ID=24.5 (Ref # 92055)	92055-1459	1
BEARING-ROLLER,HR320/28XJ (Ref # 92116)	92116-1009	1
BEARING-ROLLER,HI-CAP32005JR-1 (Ref # 92116A)	92116-1056	1
WASHER,CLAW,18.5X30X2.3 (Ref # 92200)	92200-1357	1
WASHER,19X32X2.6 (Ref # 92200A)	92200-1489	1