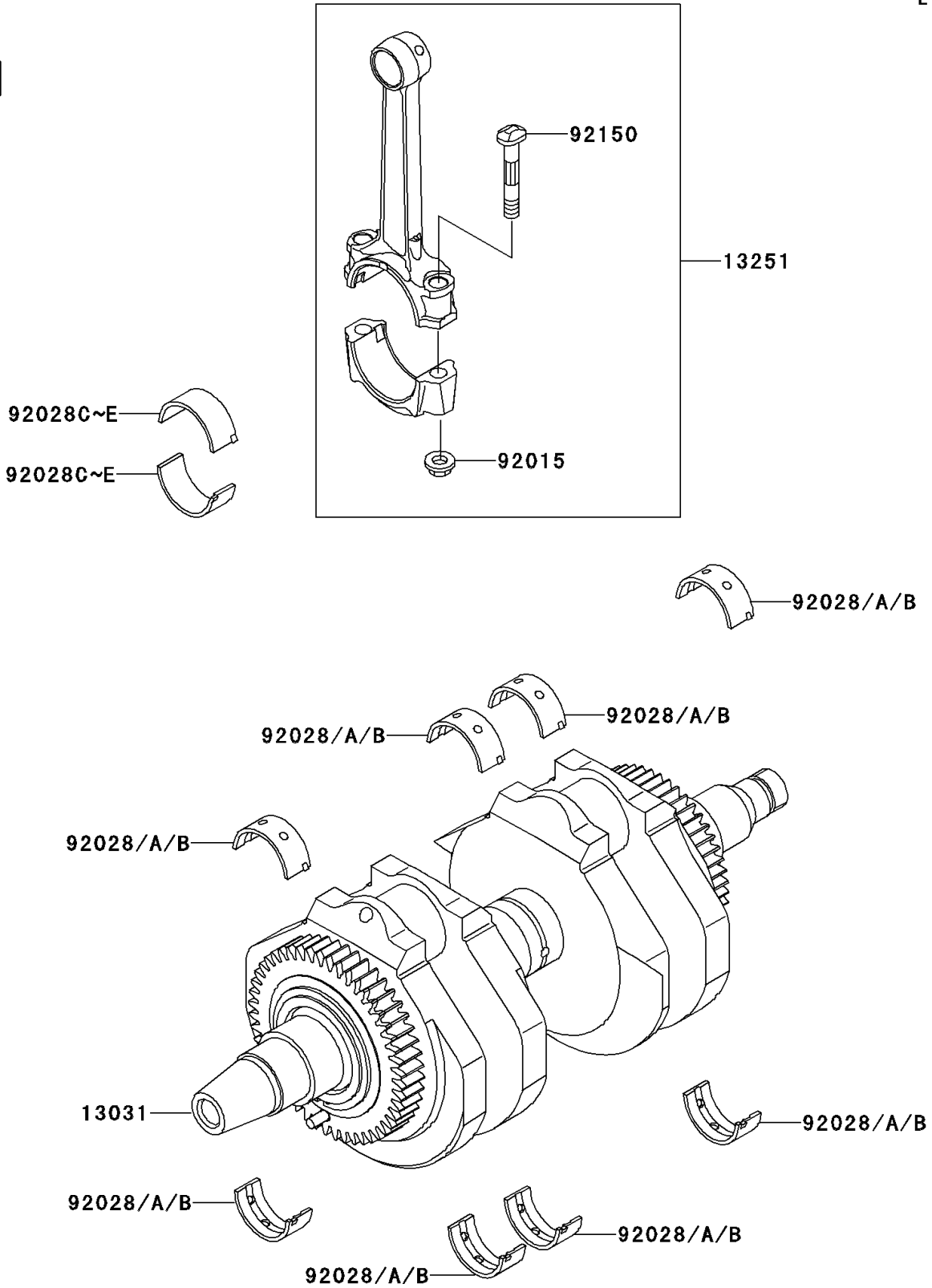


2001 W650 PARTS DIAGRAM

Crankshaft

E1321



2001 W650 PARTS LIST

Crankshaft

ITEM NAME	PART NUMBER	QUANTITY
CRANKSHAFT-COMP (Ref # 13031)	13031-1452	1
ROD-ASSY-CONNECTING,J (Ref # 13251)	13251-1123-JJ	1
NUT,FLANGED,8MM (Ref # 92015)	92015-1311	1
BUSHING,CRANKSHAFT,BLUE (Ref # 92028)	92028-1903	1
BUSHING,CRANKSHAFT,BLACK (Ref # 92028A)	92028-1904	1
BUSHING,CRANKSHAFT,BROWN (Ref # 92028B)	92028-1905	1
BUSHING,CONNECTING ROD,BLUE (Ref # 92028C)	92028-1906	1
BUSHING,CONNECTING ROD,BLACK (Ref # 92028D)	92028-1907	1
BUSHING,CONNECTING ROD,BROWN (Ref # 92028E)	92028-1908	1
BOLT,CONNECTING ROD,8MM (Ref # 92150)	92150-1216	1