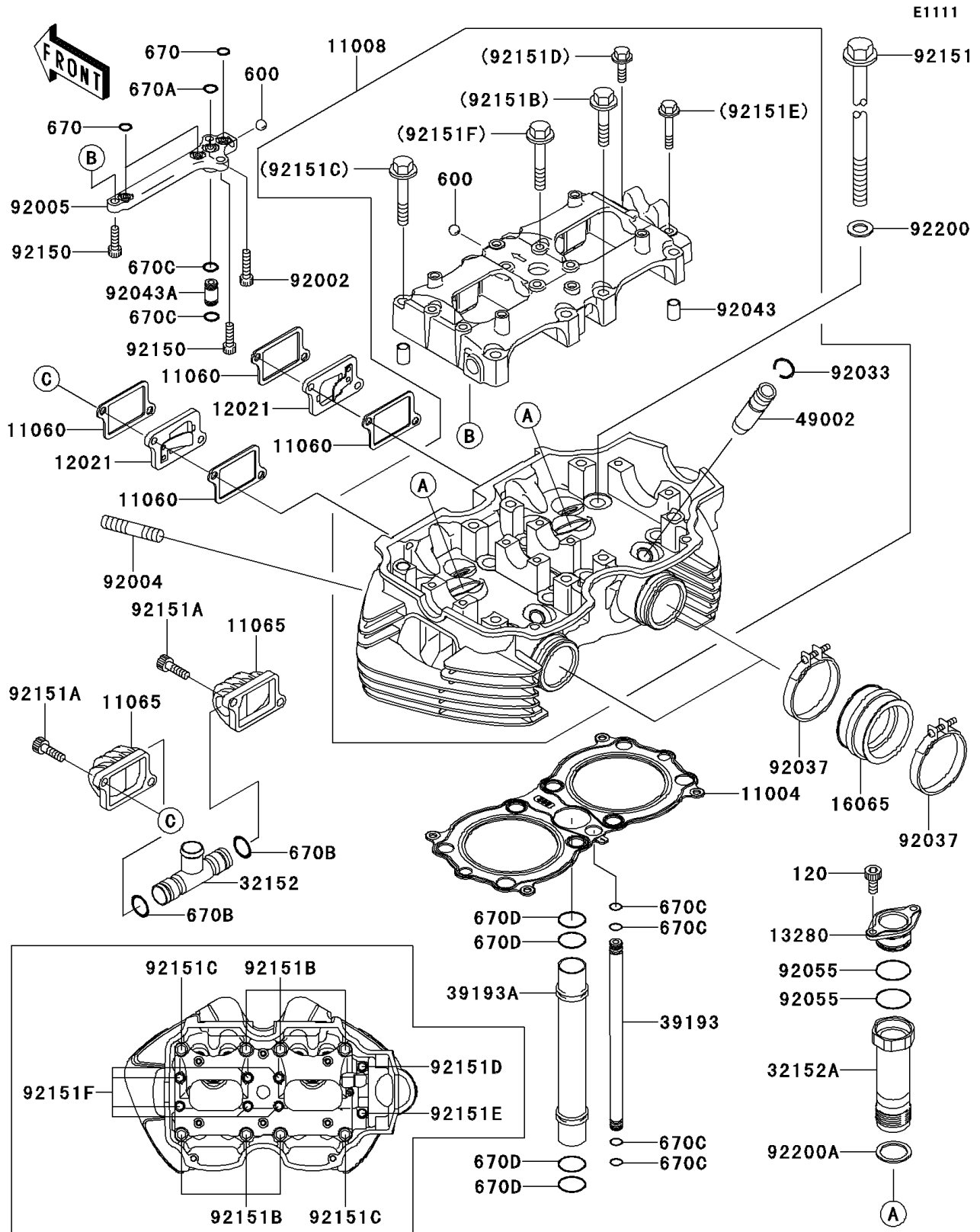


# 2000 W650 PARTS DIAGRAM

## Cylinder Head



## 2000 W650 PARTS LIST

### Cylinder Head

| ITEM NAME                              | PART NUMBER | QUANTITY |
|--|-------------|----------|
| BOLT-SOCKET (Ref # 120)                | 120R0514    | 4        |
| BALL-STEEL,1/4" (Ref # 600)            | 600A0800    | 2        |
| O RING,9MM (Ref # 670)                 | 670D1509    | 3        |
| O RING,10MM (Ref # 670A)               | 670D1510    | 1        |
| O RING,14MM (Ref # 670B)               | 670D2014    | 2        |
| O RING (Ref # 670C)                    | 670E1507    | 6        |
| O RING,22MM (Ref # 670D)               | 670E2022    | 4        |
| GASKET-HEAD (Ref # 11004)              | 11004-1341  | 1        |
| HEAD-COMP-CYLINDER (Ref # 11008)       | 11008-1362  | 1        |
| GASKET,AIR SUCTION VALVE (Ref # 11060) | 11060-1886  | 4        |
| CAP,AIR SUCTION VALVE (Ref # 11065)    | 11065-1121  | 2        |
| VALVE-ASSY-REED (Ref # 12021)          | 12021-1115  | 2        |
| HOLDER (Ref # 13280)                   | 13280-1118  | 2        |
| HOLDER-CARBURETOR (Ref # 16065)        | 16065-1361  | 2        |
| PIPE,AIR SUCTION VALVE (Ref # 32152)   | 32152-1900  | 1        |
| PIPE,PLUG HOLE (Ref # 32152A)          | 32152-1901  | 2        |
| PIPE-OIL (Ref # 39193)                 | 39193-1045  | 1        |
| PIPE-OIL (Ref # 39193A)                | 39193-1046  | 1        |
| GUIDE-VALVE (Ref # 49002)              | 49002-1116  | AR       |
| BOLT,SOCKET,6X25 (Ref # 92002)         | 92002-1696  | 1        |
| STUD,8X30 (Ref # 92004)                | 92004-1121  | 4        |
| FITTING (Ref # 92005)                  | 92005-1361  | 1        |
| RING-SNAP (Ref # 92033)                | 92033-1247  | 8        |
| CLAMP (Ref # 92037)                    | 92037-1523  | 4        |
| PIN,DOWEL,10X14 (Ref # 92043)          | 92043-1037  | 2        |
| PIN (Ref # 92043A)                     | 92043-1587  | 1        |
| RING-O,24.7X1.9 (Ref # 92055)          | 92055-1592  | 4        |
| BOLT,SOCKET,6X20 (Ref # 92150)         | 92150-1880  | 2        |
| BOLT,11X195 (Ref # 92151)              | 92151-1452  | 8        |

## 2000 W650 PARTS LIST

### Cylinder Head

| ITEM NAME                          | PART NUMBER | QUANTITY |
|------------------------------------|-------------|----------|
| BOLT,SOCKET,6X22 (Ref # 92151A)    | 92151-1455  | 4        |
| BOLT,8X40 (Ref # 92151B)           | 92151-1621  | 6        |
| BOLT,8X50 (Ref # 92151C)           | 92151-1622  | 2        |
| BOLT,6X22 (Ref # 92151D)           | 92151-1623  | 1        |
| BOLT,6X35 (Ref # 92151E)           | 92151-1624  | 1        |
| BOLT,6X50 (Ref # 92151F)           | 92151-1625  | 6        |
| WASHER,11.5X20.5X1.6 (Ref # 92200) | 92200-1128  | 8        |
| WASHER,22X26X1.2 (Ref # 92200A)    | 92200-1484  | 2        |