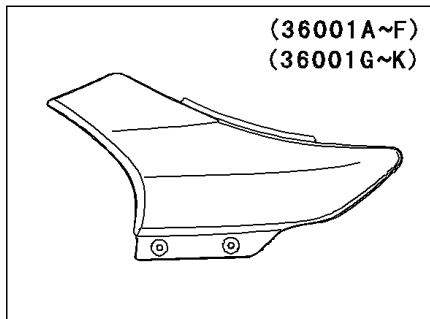
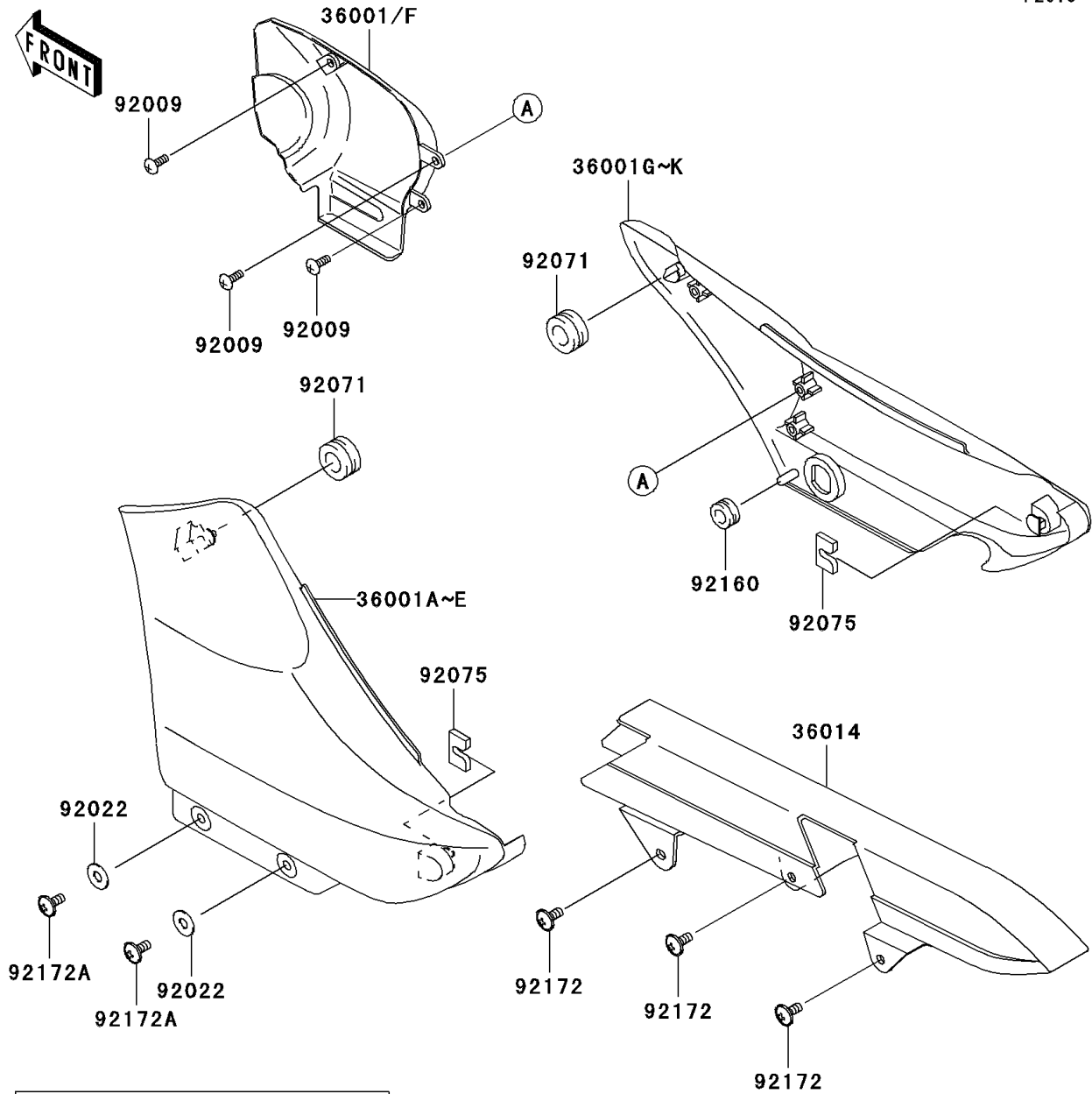


# 2004 Eliminator 125 PARTS DIAGRAM

Side Covers/Chain Cover

F2610



W0D

(36001A/G)	C. P. Red
(36001B/H)	Ebony
(36001C/I)	C. T. Red
(36001D/J)	M. C. Black
(36001E/K)	M. P. Silver

## 2004 Eliminator 125 PARTS LIST

### Side Covers/Chain Cover

ITEM NAME	PART NUMBER	QUANTITY
COVER-SIDE,LH,M.P.SILVER (Ref # 36001E)	36001-1610-170	1
COVER-SIDE,RH,FR (Ref # 36001F)	36001-1662	1
COVER-SIDE,RH,RR,M.P.SILVER (Ref # 36001K)	36001-1663-170	1
CASE-CHAIN (Ref # 36014)	36014-1228	1
SCREW,TAPPING,5X14 (Ref # 92009)	92009-1197	3
WASHER,6.5X16X1.0 (Ref # 92022)	92022-1654	2
GROMMET (Ref # 92071)	92071-1043	2
DAMPER (Ref # 92075)	92075-1967	2
DAMPER (Ref # 92160)	92160-1891	1
SCREW,6X14 (Ref # 92172)	92172-0004	3
SCREW,6X14 (Ref # 92172A)	92172-1069	2
COVER-SIDE,LH,C.P.RED (Ref # 36001A)	36001-1610-G2	1
COVER-SIDE,RH,RR,C.P.RED (Ref # 36001G)	36001-1663-G2	1