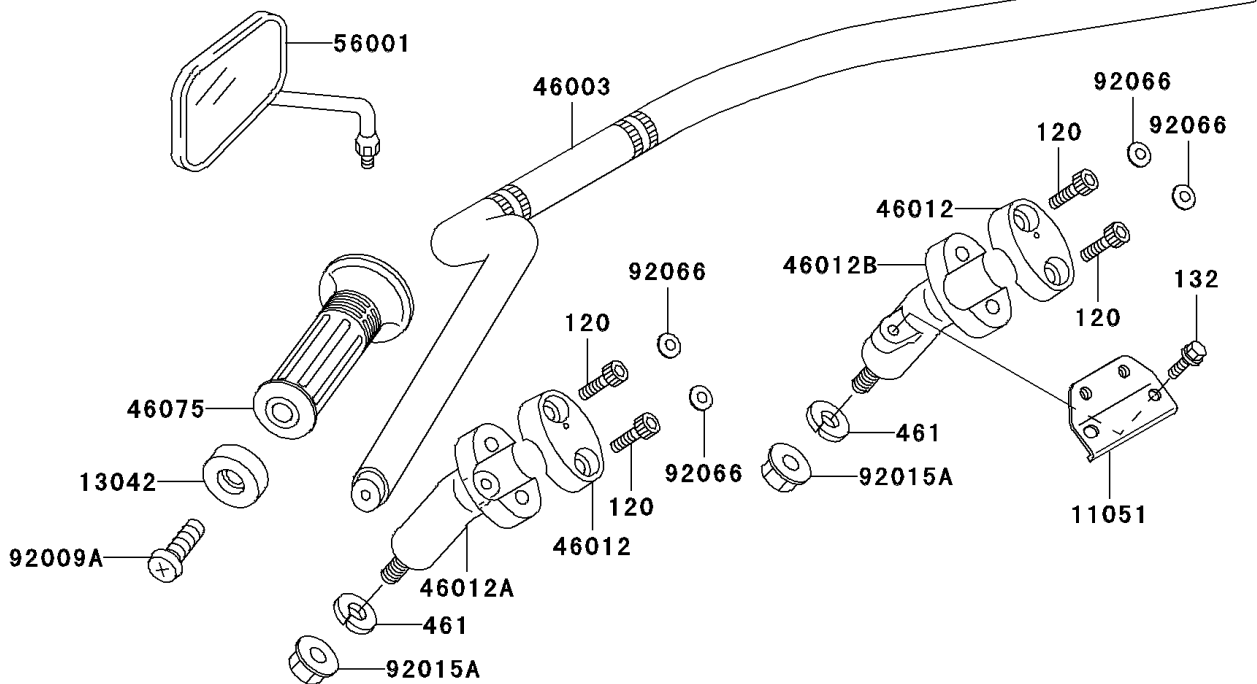
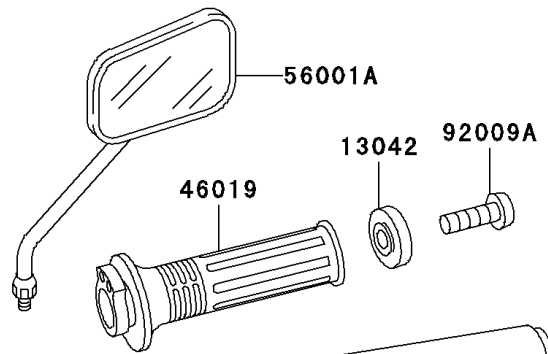
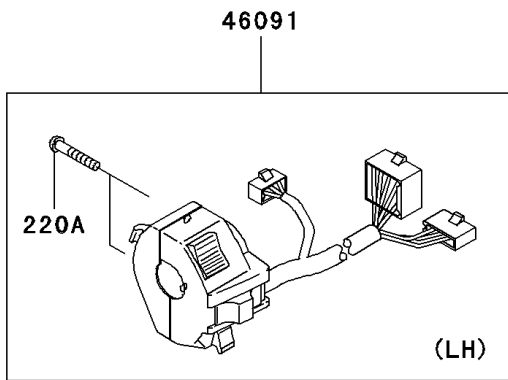
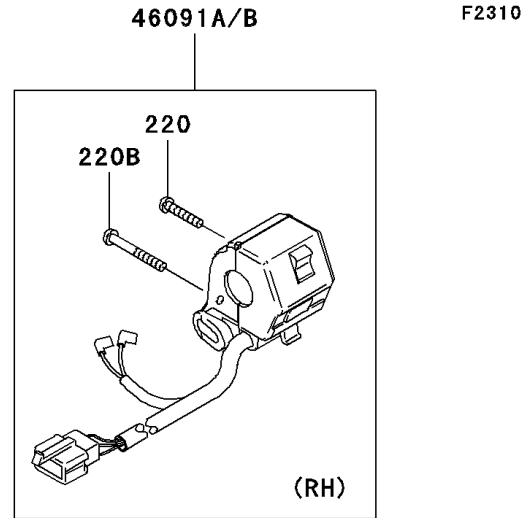
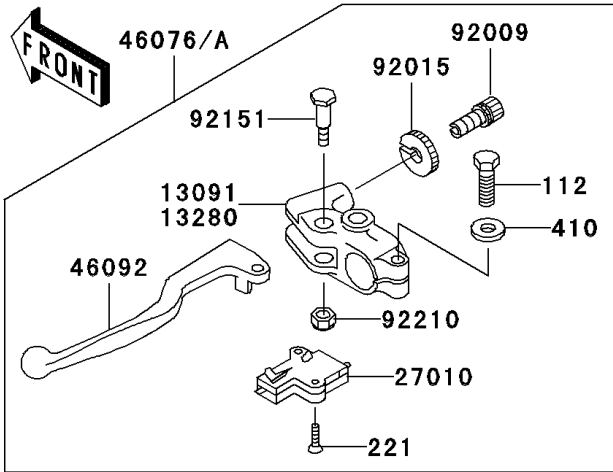


# 2001 Eliminator 125 PARTS DIAGRAM

Handlebar



## 2001 Eliminator 125 PARTS LIST

### Handlebar

ITEM NAME	PART NUMBER	QUANTITY
BOLT-UPSET (Ref # 112)	112J0622	1
BOLT-SOCKET,8X30,BLACK (Ref # 120)	120S0830	4
BOLT-FLANGED-SMALL (Ref # 132)	132E0616	2
SCREW-PAN-CROS (Ref # 220)	220C0525	1
SCREW-PAN-CROS (Ref # 220A)	220C0530	2
SCREW-PAN-CROS (Ref # 220B)	220C0540	1
SCREW-CSK-CROS (Ref # 221)	221C0316	2
WASHER-PLAIN-SMALL,6MM,BLACK (Ref # 410)	410F0600	1
WASHER-SPRING,10MM (Ref # 461)	461F1000	2
BRACKET (Ref # 11051)	11051-1679	1
WEIGHT,HANDLE (Ref # 13042)	13042-1126	2
HOLDER,CLUTCH LEVER (Ref # 13091)	13091-1272	1
SWITCH,CLUTCH,BLACK (Ref # 27010)	27010-1094	1
HANDLE (Ref # 46003)	46003-1555	1
HOLDER-HANDLE,UPP (Ref # 46012)	46012-1316	2
HOLDER-HANDLE,LWR,LH (Ref # 46012A)	46012-1324	1
HOLDER-HANDLE,LWR,RH (Ref # 46012B)	46012-1325	1
GRIP-ASSY,THROTTLE (Ref # 46019)	46019-1107	1
GRIP,LH (Ref # 46075)	46075-1080	1
LEVER-ASSY-GRIP,CLUTCH (Ref # 46076)	46076-1222	1
HOUSING-ASSY-CONTROL,LH (Ref # 46091)	46091-1768	1
HOUSING-ASSY-CONTROL,RH (Ref # 46091A)	46091-1769	1
LEVER-GRIP,CLUTCH (Ref # 46092)	46092-1206	1
MIRROR-ASSY,LH (Ref # 56001)	56001-1327	1
MIRROR-ASSY,RH (Ref # 56001A)	56001-1328	1
SCREW,CABLE ADJUST,8MM,BLACK (Ref # 92009)	92009-1134	1
SCREW,8X20 (Ref # 92009A)	92009-1484	2
NUT,CABLE ADJUST LOCK,8MM,BLK (Ref # 92015)	92015-1197	1
NUT,CAP,10MM (Ref # 92015A)	92015-1961	2

## 2001 Eliminator 125 PARTS LIST

### Handlebar

ITEM NAME	PART NUMBER	QUANTITY
PLUG (Ref # 92066)	92066-1277	4
BOLT,LEVER SET (Ref # 92151)	92151-1986	1
NUT,LOCK,6MM (Ref # 92210)	92210-0006	1