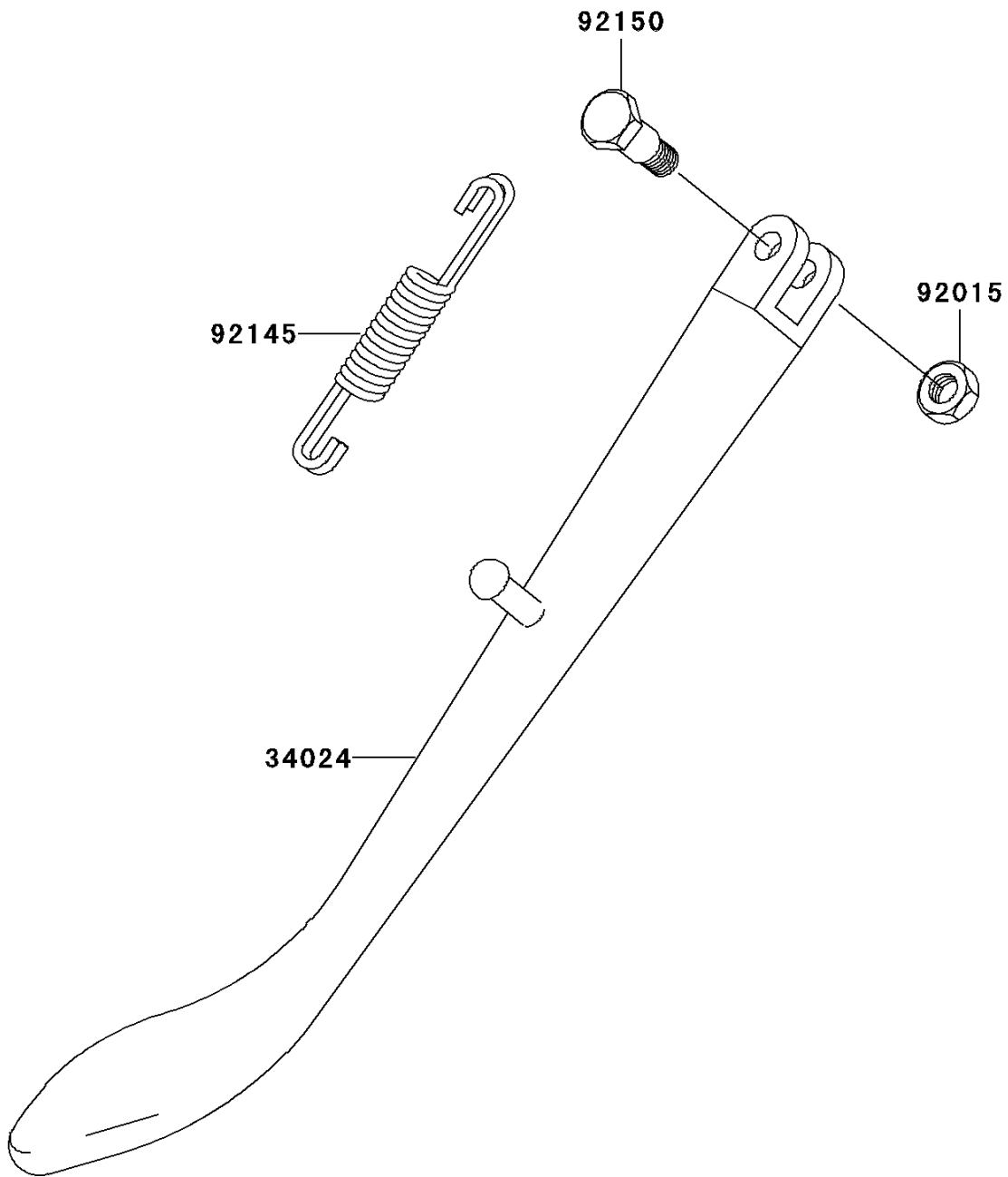


2004 Eliminator 125 PARTS DIAGRAM

Stand(s)

F2190



2004 Eliminator 125 PARTS LIST

Stand(s)

| ITEM NAME | PART NUMBER | QUANTITY |
|-----------------------------------|--------------------|-----------------|
| STAND-SIDE (Ref # 34024) | 34024-1343 | 1 |
| NUT,LOCK,10MM,BLACK (Ref # 92015) | 92015-1188 | 1 |
| SPRING,SIDE STAND (Ref # 92145) | 92145-0084 | 1 |
| BOLT,SIDE STAND (Ref # 92150) | 92150-1975 | 1 |