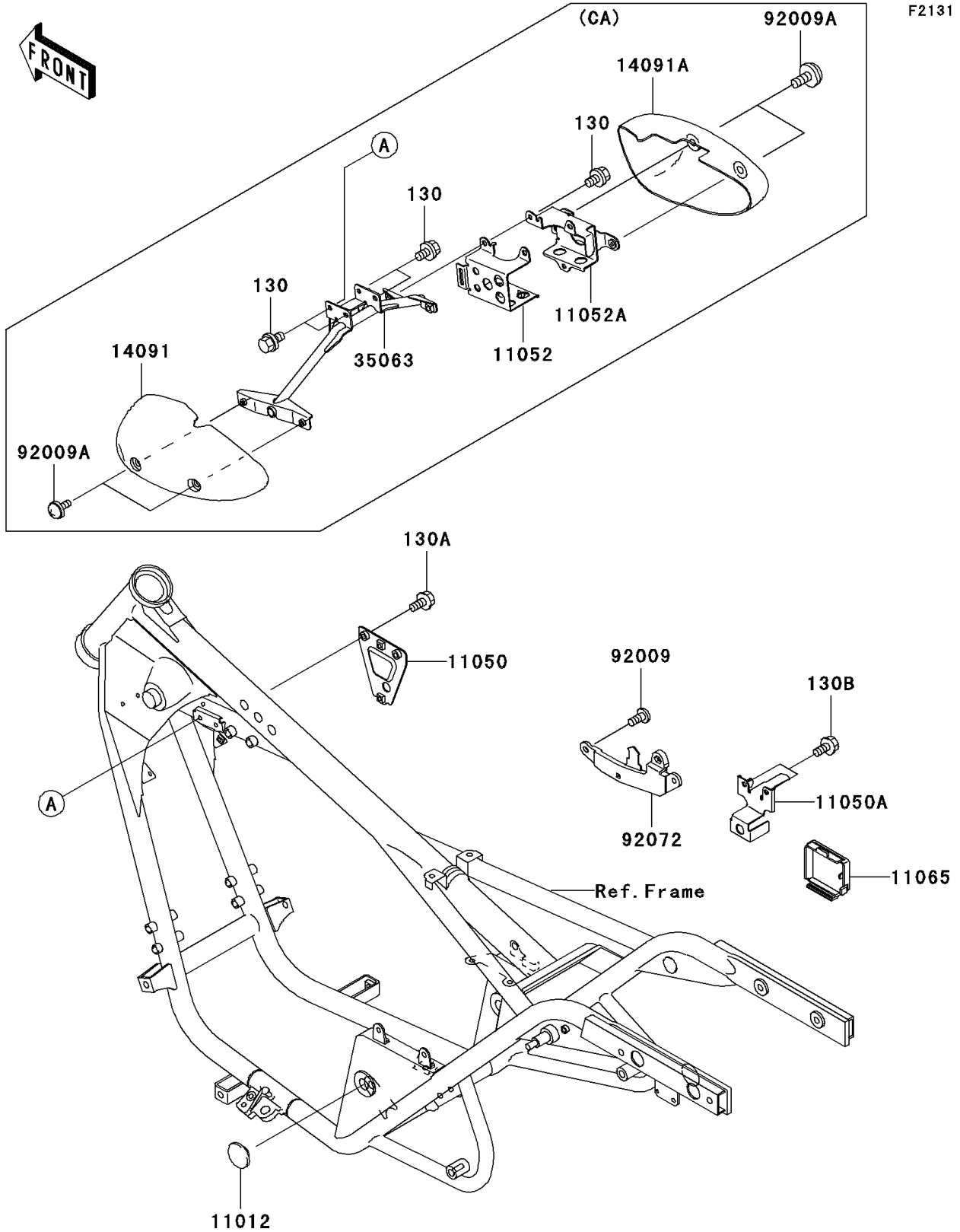


# 2001 Eliminator 125 PARTS DIAGRAM

## Frame Fittings



## 2001 Eliminator 125 PARTS LIST

### Frame Fittings

ITEM NAME	PART NUMBER	QUANTITY
BOLT-FLANGED (Ref # 130A)	130J0612	2
BOLT-FLANGED,6X16,BLACK (Ref # 130B)	130J0616	2
CAP,PIVOT (Ref # 11012)	11012-1821	2
BRACKET,IGNITER (Ref # 11050)	11050-1383	1
BRACKET,ELECTRIC (Ref # 11050A)	11050-1526	1
CAP,TOOL CASE (Ref # 11065)	11065-1068	1
SCREW,6X16 (Ref # 92009)	92009-1621	2
BAND (Ref # 92072)	92072-1348	1