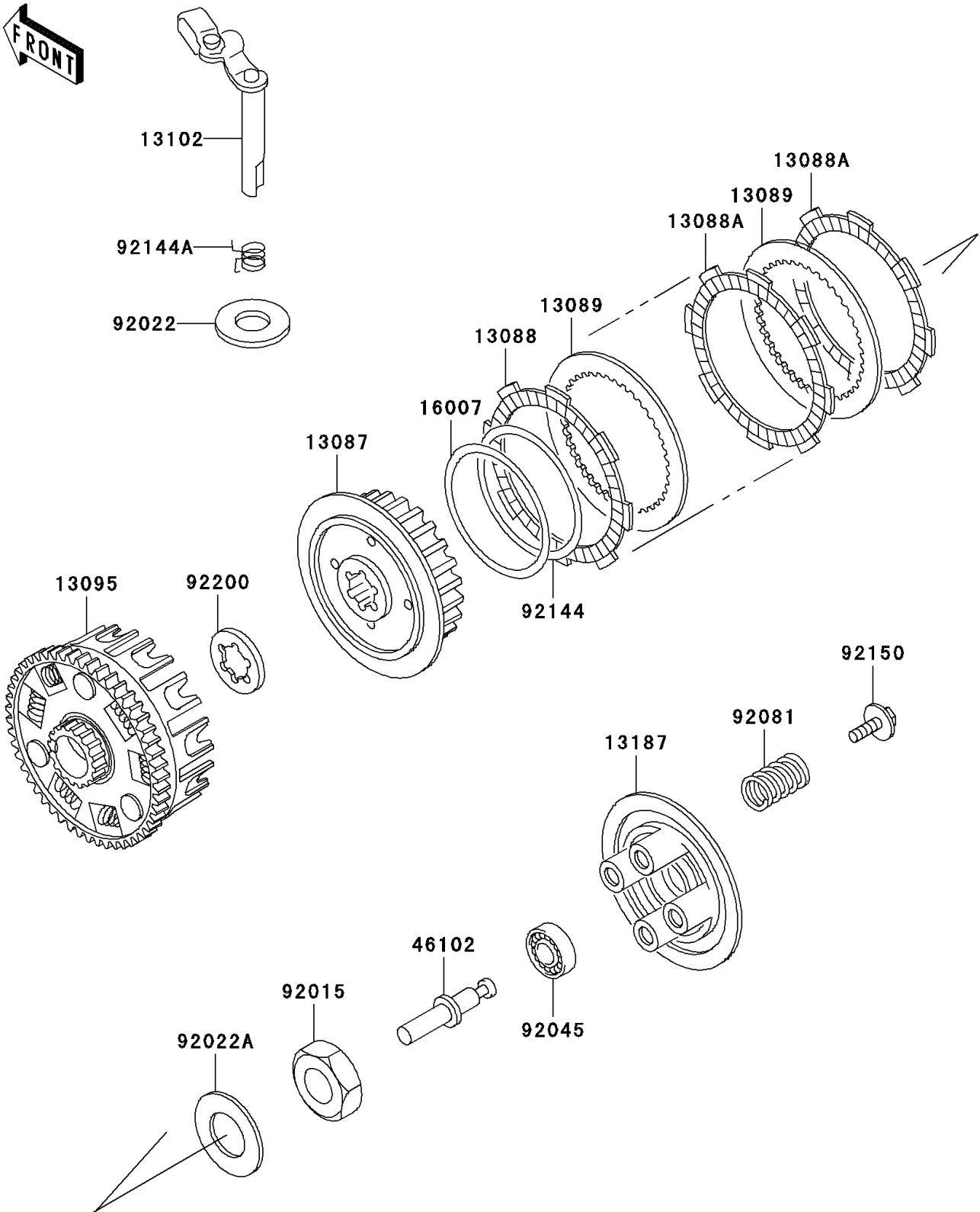


# 2004 Eliminator 125 PARTS DIAGRAM

Clutch

E1350



## 2004 Eliminator 125 PARTS LIST

### Clutch

ITEM NAME	PART NUMBER	QUANTITY
HUB-CLUTCH (Ref # 13087)	13087-1169	1
PLATE-FRICTION (Ref # 13088)	13088-1085	1
PLATE-FRICTION (Ref # 13088A)	13088-1098	4
PLATE-CLUTCH (Ref # 13089)	13089-1076	4
HOUSING-COMP-CLUTCH (Ref # 13095)	13095-1388	1
RELEASE-COMP-CLUTCH (Ref # 13102)	13102-1139	1
PLATE-CLUTCH OPERATING (Ref # 13187)	13187-1072	1
SEAT-SPRING (Ref # 16007)	16007-1162	1
ROD (Ref # 46102)	46102-1402	1
NUT,LOCK,16MM (Ref # 92015)	92015-072	1
WASHER,12.5X21X1.2 (Ref # 92022)	92022-072	1
WASHER,16.3X29X1.75 (Ref # 92022A)	92022-1356	1
BEARING-BALL,6001C3ML01 (Ref # 92045)	92045-1235	1
SPRING,CLUTCH (Ref # 92081)	92081-1492	4
SPRING (Ref # 92144)	92144-1522	1
SPRING,RELEASE SHAFT (Ref # 92144A)	92144-1995	1
BOLT (Ref # 92150)	92150-1715	4
WASHER (Ref # 92200)	92200-1440	1