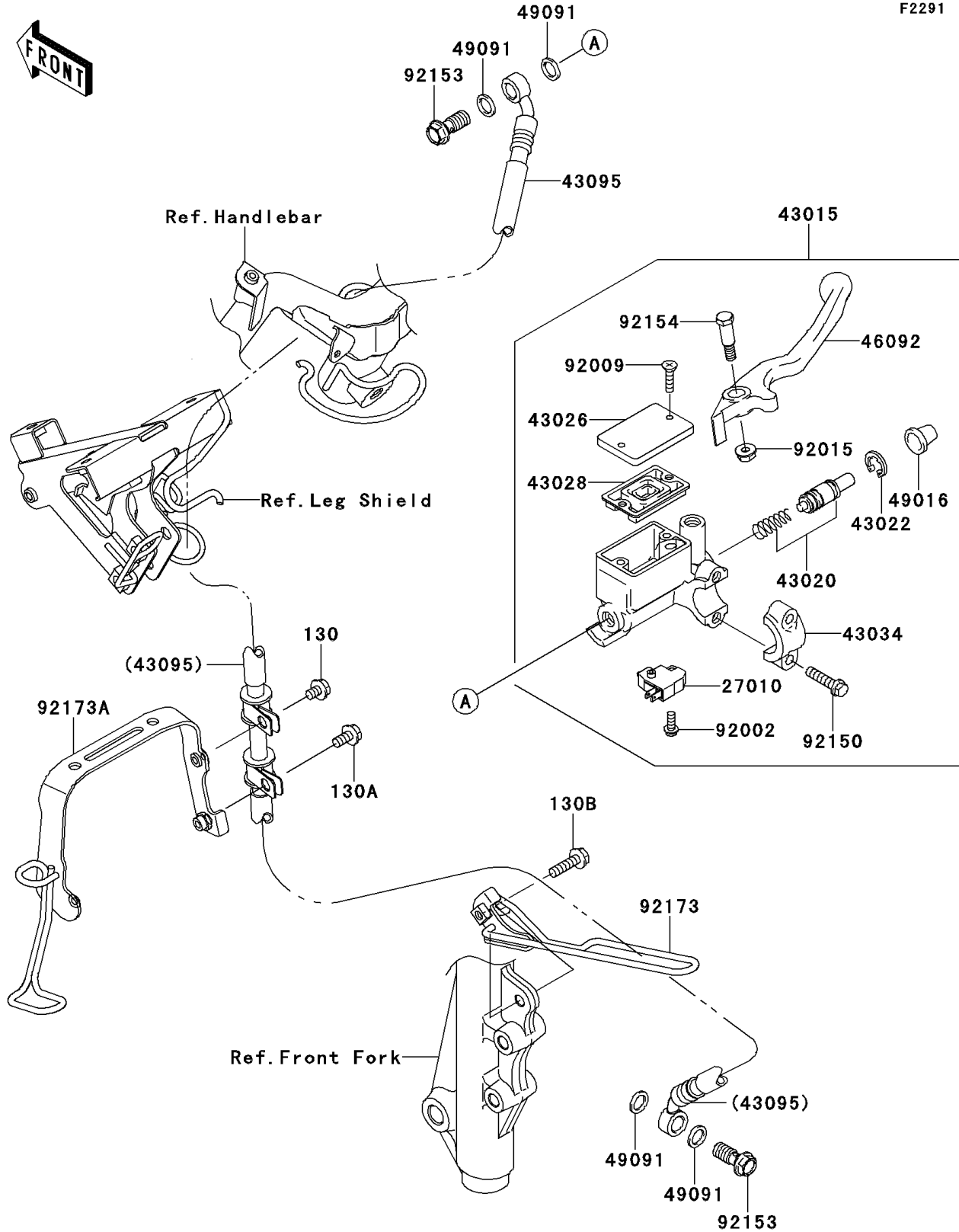


# 2012 EDGE R PARTS DIAGRAM

## Front Master Cylinder

F2291



## 2012 EDGE R PARTS LIST

### Front Master Cylinder

ITEM NAME	PART NUMBER	QUANTITY
BOLT-FLANGED,6X8 (Ref # 130)	130BB0608	1
BOLT-FLANGED,6X12 (Ref # 130A)	130BB0612	1
BOLT-FLANGED,6X22 (Ref # 130B)	130BB0622	1
SWITCH,BRAKE (Ref # 27010)	27010-0025	1
CYLINDER-ASSY-MASTER (Ref # 43015)	43015-0565	1
PISTON-COMP-BRAKE (Ref # 43020)	43020-1095	1
STOPPER-BRAKE,PISTON (Ref # 43022)	43022-1010	1
CAP-BRAKE (Ref # 43026)	43026-1074	1
DIAPHRAGM (Ref # 43028)	43028-1061	1
HOLDER-BRAKE (Ref # 43034)	43034-1110	1
HOSE-BRAKE,FR (Ref # 43095)	43095-0643	1
LEVER-GRIP,FR BRAKE (Ref # 46092)	46092-0553	1
COVER-SEAL,MASTER CYLINDER (Ref # 49016)	49016-1044	1
WASHER-SEAL,10.1X14.5X1.5 (Ref # 49091)	49091-0001	4
BOLT,SCREW,4X12 (Ref # 92002)	92002-1323	1
SCREW,4MM (Ref # 92009)	92009-1458	2
NUT,FLANGED,6MM (Ref # 92015)	92015-1528	1
BOLT (Ref # 92150)	92150-1452	2
BOLT,OIL,L=23 (Ref # 92153)	92153-0029	2
BOLT,FR BRAKE LEVER (Ref # 92154)	92154-0882	1
CLAMP (Ref # 92173)	92173-0760	1
CLAMP (Ref # 92173A)	92173-0761	1