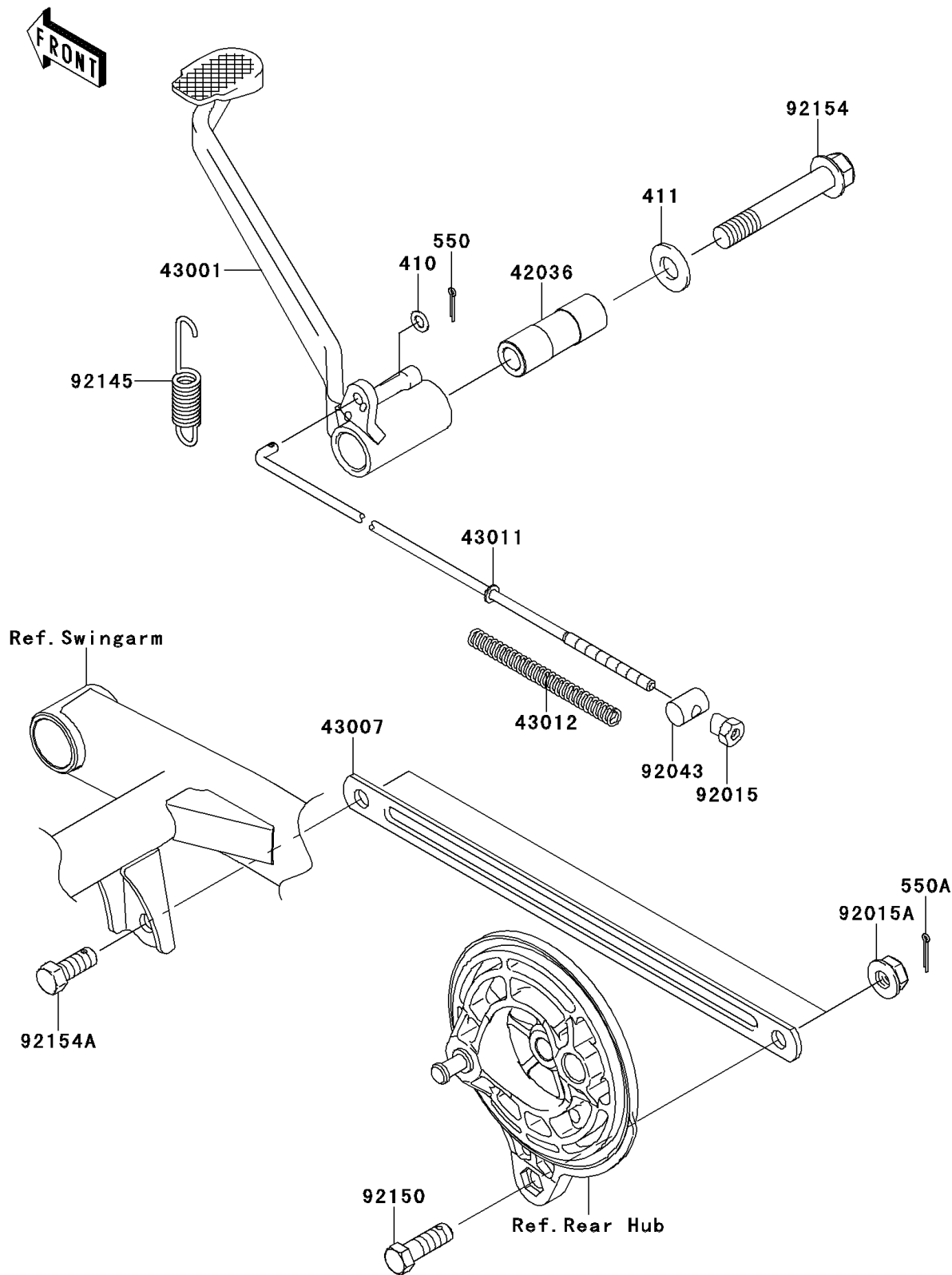


2012 EDGE VR PARTS DIAGRAM

Brake Pedal

F2260



2012 EDGE VR PARTS LIST

Brake Pedal

ITEM NAME	PART NUMBER	QUANTITY
WASHER-PLAIN-SMALL (Ref # 410)	410AA0600	1
WASHER-PLAIN,12MM (Ref # 411)	411AA1200	1
PIN-COTTER,2.0X15 (Ref # 550)	550AA2015	1
PIN-COTTER,2.0X18 (Ref # 550A)	550AA2018	1
SLEEVE (Ref # 42036)	42036-1332	1
LEVER-BRAKE,PEDAL (Ref # 43001)	43001-0706	1
ROD-TORQUE (Ref # 43007)	43007-0019	1
ROD-BRAKE (Ref # 43011)	43011-0553	1
SPRING,BRAKE ROD (Ref # 43012)	43012-001	1
NUT,BRAKE ROD (Ref # 92015)	92015-042	1
NUT,FLANGED,10MM (Ref # 92015A)	92015-1428	1
PIN,BRAKE ROD (Ref # 92043)	92043-0065	1
SPRING,RETURN (Ref # 92145)	92145-0770	1
BOLT,10X32 (Ref # 92150)	92150-1872	1
BOLT,FLANGED,12X75 (Ref # 92154)	92154-0328	1
BOLT,10X25 (Ref # 92154A)	92154-0767	1