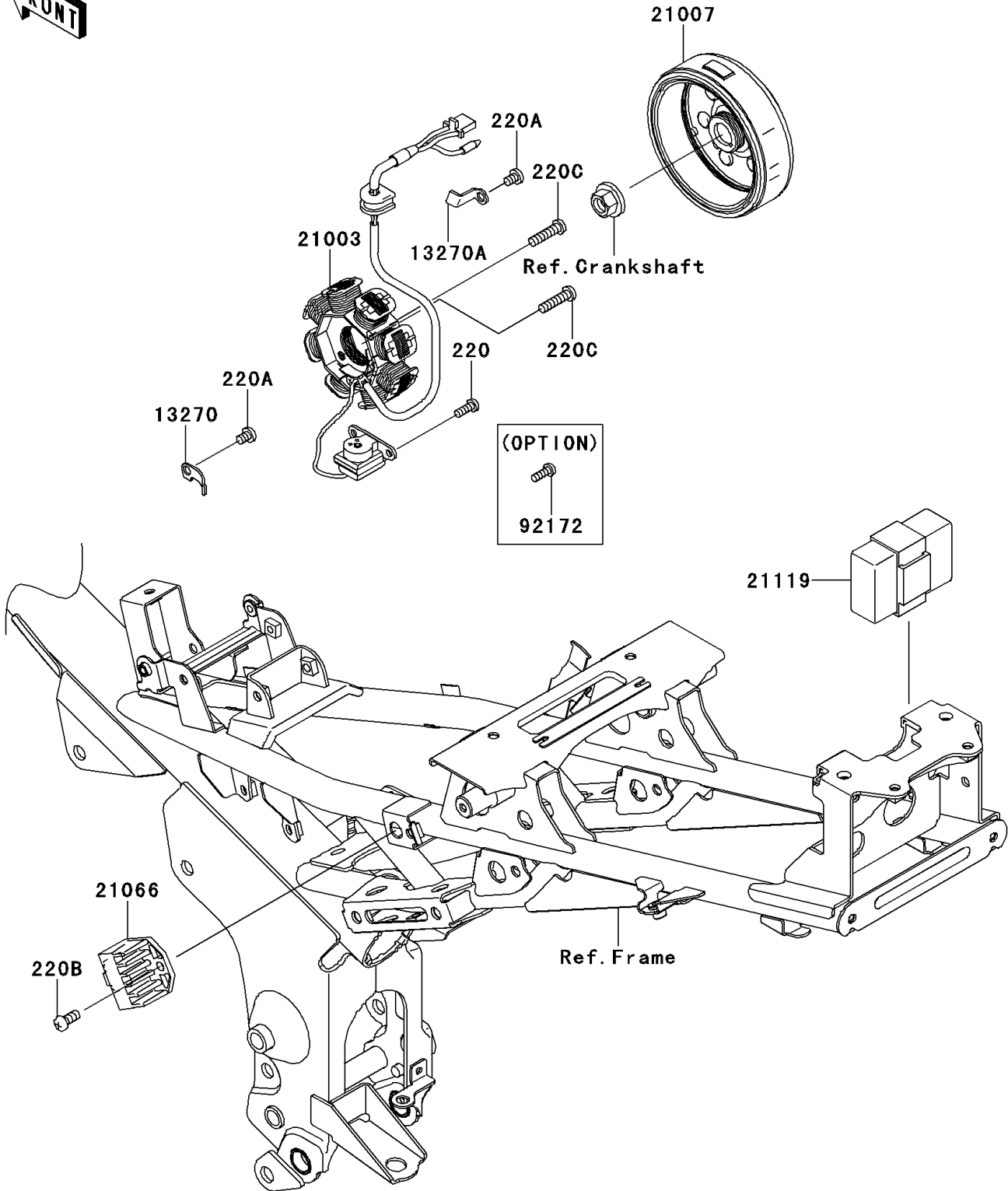


2012 EDGE R PARTS DIAGRAM

Generator

E1810



2012 EDGE R PARTS LIST

Generator

ITEM NAME	PART NUMBER	QUANTITY
SCREW-PAN-CROS,5X14 (Ref # 220)	220AA0514	2
SCREW-PAN-CROS,6X8 (Ref # 220A)	220AA0608	2
SCREW-PAN-CROS,6X14 (Ref # 220B)	220AA0614	1
SCREW-PAN-CROS,6X25 (Ref # 220C)	220AA0625	2
PLATE (Ref # 13270)	13270-1252	1
PLATE (Ref # 13270A)	13270-1961	1
STATOR (Ref # 21003)	21003-0040	1
ROTOR (Ref # 21007)	21007-0146	1
REGULATOR-VOLTAGE (Ref # 21066)	21066-0044	1
IGNITER (Ref # 21119)	21119-0100	1
SCREW,5X14 (Ref # 92172)	92172-1077	2