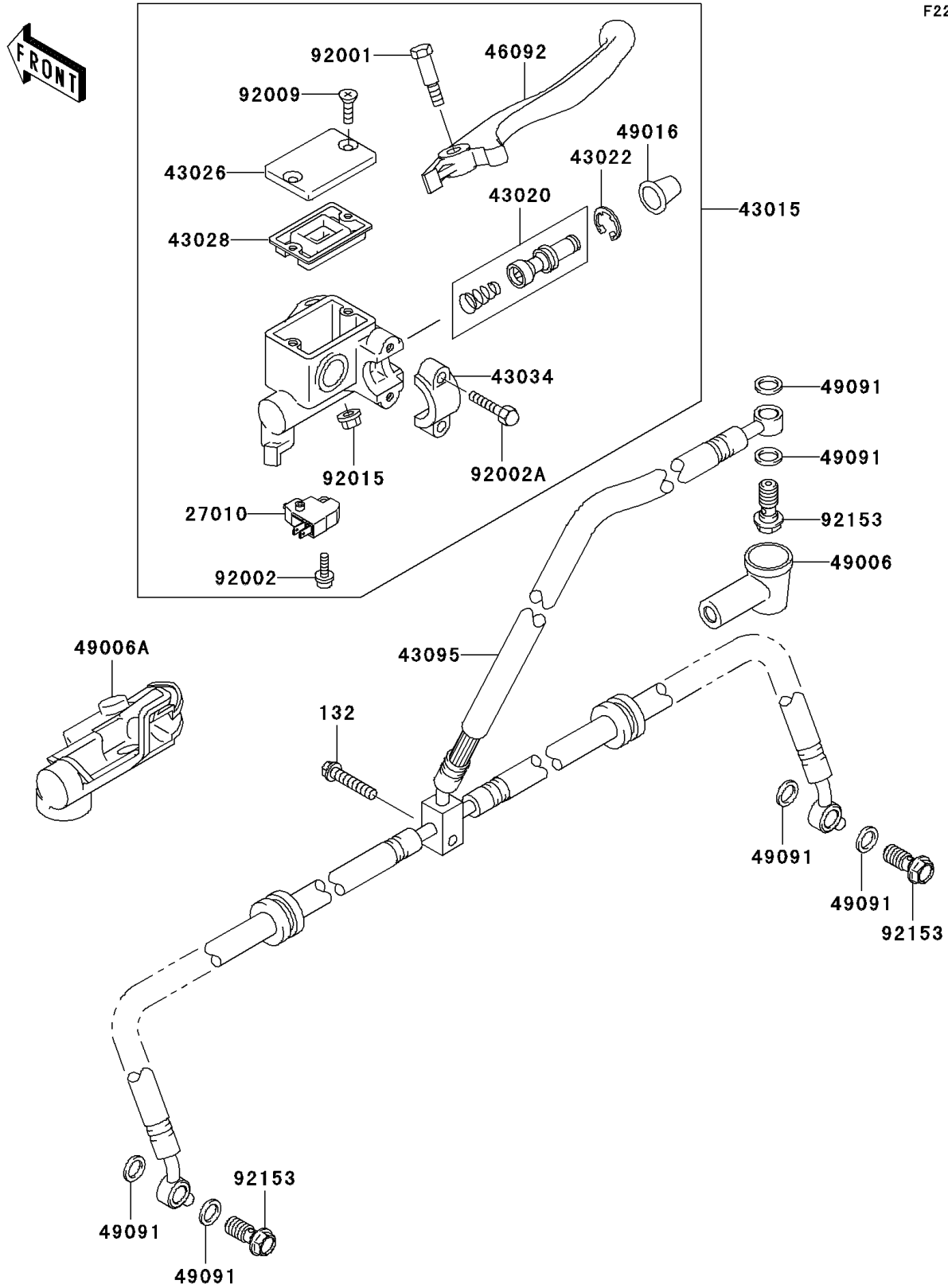


2006 Prairie® 360 4x4 PARTS DIAGRAM

Front Master Cylinder

F2291



2006 Prairie® 360 4x4 PARTS LIST

Front Master Cylinder

| ITEM NAME | PART NUMBER | QUANTITY |
|--|-------------|----------|
| BOLT-FLANGED-SMALL,6X30 (Ref # 132) | 132BB0630 | 1 |
| SWITCH,BRAKE (Ref # 27010) | 27010-0025 | 1 |
| CYLINDER-ASSY-MASTER,FR (Ref # 43015) | 43015-1646 | 1 |
| PISTON-COMP-BRAKE,FR (Ref # 43020) | 43020-1056 | 1 |
| STOPPER-BRAKE,PISTON (Ref # 43022) | 43022-1010 | 1 |
| CAP-BRAKE (Ref # 43026) | 43026-1074 | 1 |
| DIAPHRAGM (Ref # 43028) | 43028-1061 | 1 |
| HOLDER-BRAKE,MASTER CYLINDER (Ref # 43034) | 43034-1016 | 1 |
| HOSE-BRAKE,FR (Ref # 43095) | 43095-7501 | 1 |
| LEVER-GRIP,FRONT BRAKE (Ref # 46092) | 46092-1208 | 1 |
| BOOT,DUST (Ref # 49006) | 49006-1040 | 1 |
| BOOT (Ref # 49006A) | 49006-1338 | 1 |
| COVER-SEAL,MASTER CYLINDER (Ref # 49016) | 49016-1044 | 1 |
| WASHER-SEAL,10.1X14.5X1.5 (Ref # 49091) | 49091-0001 | 1 |
| BOLT,FRONT BRAKE LEVER (Ref # 92001) | 92001-1728 | 1 |
| BOLT,SCREW,4X12 (Ref # 92002) | 92002-1323 | 1 |
| BOLT (Ref # 92002A) | 92002-1894 | 1 |
| SCREW,4MM (Ref # 92009) | 92009-1458 | 1 |
| NUT,FLANGED,6MM,BLACK (Ref # 92015) | 92015-1233 | 1 |
| BOLT,OIL,L=23 (Ref # 92153) | 92153-0627 | 1 |