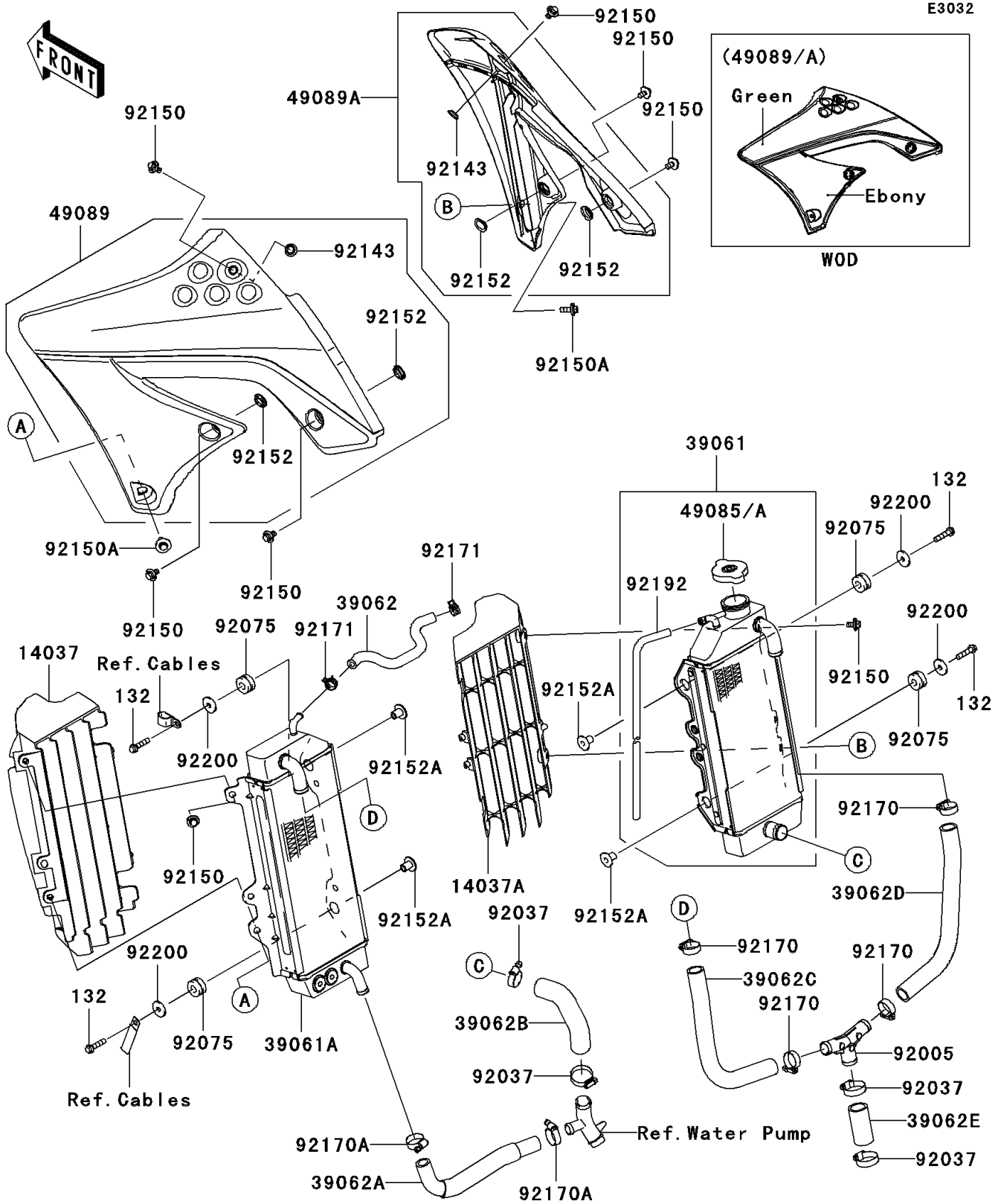


## 2012 KX™250F PARTS DIAGRAM

Radiator



## 2012 KX™250F PARTS LIST

Radiator

ITEM NAME	PART NUMBER	QUANTITY
BOLT-FLANGED-SMALL,6X25 (Ref # 132)	132BB0625	1
SCREEN,LH,EBONY (Ref # 14037)	14037-0100-6C	1
SCREEN,RH,EBONY (Ref # 14037A)	14037-0101-6C	1
RADIATOR-ASSY,RH (Ref # 39061)	39061-0168	1
RADIATOR-ASSY,LH (Ref # 39061A)	39061-0190	1
HOSE-COOLING,RAD LH-RAD RH (Ref # 39062)	39062-0258	1
HOSE-COOLING,RAD.LH-W/P (Ref # 39062A)	39062-0292	1
HOSE-COOLING,RAD.RH-W/P (Ref # 39062B)	39062-0293	1
HOSE-COOLING,RAD.LH-FIT. (Ref # 39062C)	39062-0294	1
HOSE-COOLING,RAD.RH-FIT. (Ref # 39062D)	39062-0295	1
HOSE-COOLING (Ref # 39062E)	39062-1348	1
CAP-ASSY-PRESSURE,P1.1 (Ref # 49085)	49085-1070	1
CAP-ASSY-PRESSURE,P1.6 (Ref # 49085A)	49085-1073	1
SHROUD-ENGINE,LH,UP GRN+LO EBO (Ref # 49089)	49089-0068-25M	1
SHROUD-ENGINE,RH,UP GRN+LO EBO (Ref # 49089A)	49089-0069-25M	1
FITTING (Ref # 92005)	92005-0101	1
CLAMP,COOLING HOSE (Ref # 92037)	92037-1589	1
DAMPER (Ref # 92075)	92075-209	1
COLLAR (Ref # 92143)	92143-1196	1
BOLT,6X12 (Ref # 92150)	92150-1435	1
BOLT,6X20 (Ref # 92150A)	92150-1801	1
COLLAR (Ref # 92152)	92152-0052	1
COLLAR (Ref # 92152A)	92152-0666	1
CLAMP,HOSE,26MM (Ref # 92170)	92170-1077	1
CLAMP (Ref # 92170A)	92170-1283	1
CLAMP,CLIP,12.5MM (Ref # 92171)	92171-0372	1
TUBE,6X9X640 (Ref # 92192)	92192-0167	1
WASHER,6.5X22X2.3 (Ref # 92200)	92200-0271	1