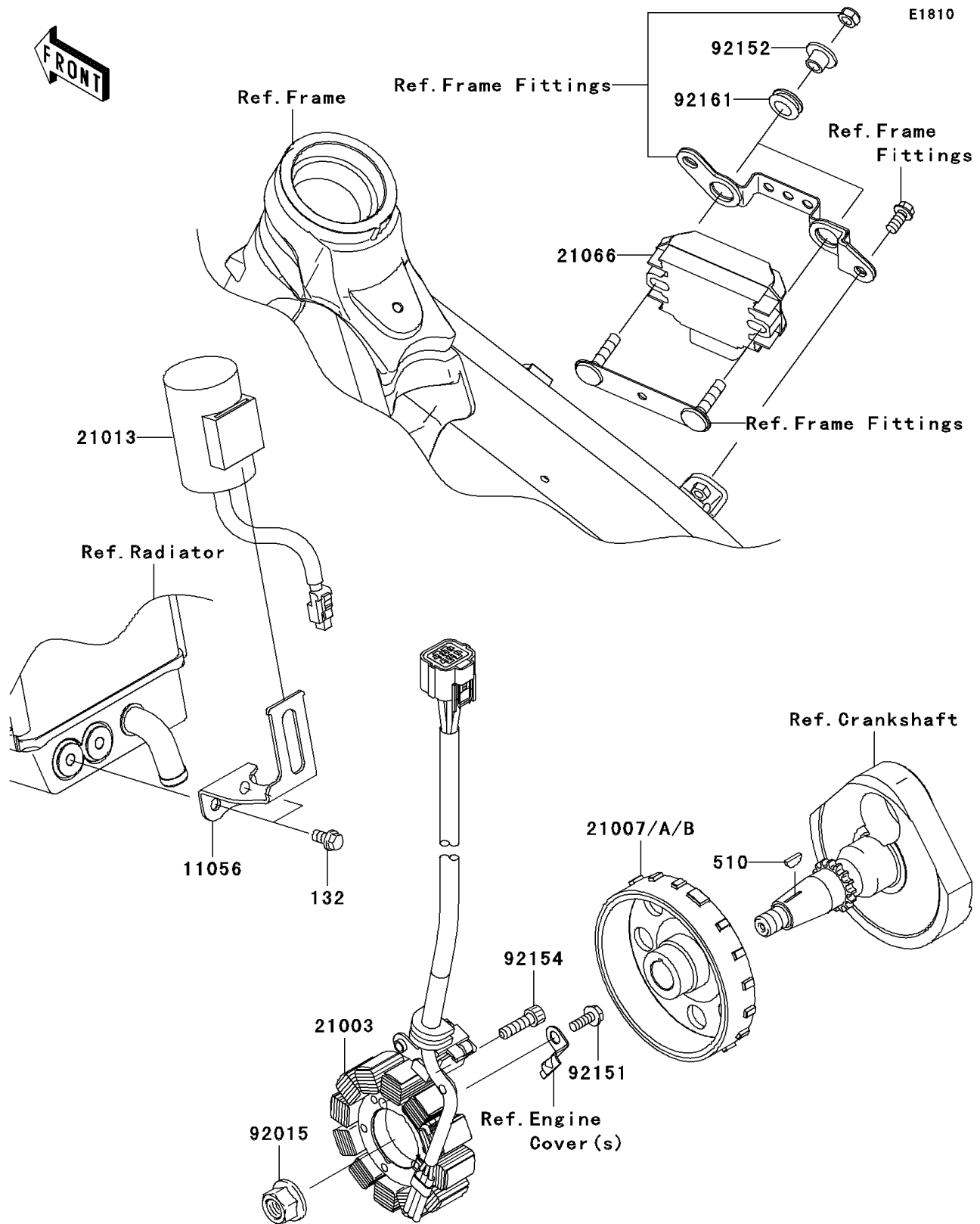


2012 KX™250F PARTS DIAGRAM

Generator



2012 KX™250F PARTS LIST

Generator

ITEM NAME	PART NUMBER	QUANTITY
BOLT-FLANGED-SMALL,6X10 (Ref # 132)	132BA0610	1
KEY-WOODRUFF (Ref # 510)	510A3200	1
BRACKET,CONDENSER (Ref # 11056)	11056-1513	1
STATOR (Ref # 21003)	21003-0102	1
ROTOR,I=8.5 (Ref # 21007)	21007-0164	1
ROTOR,I=8.0 (Ref # 21007A)	21007-0554	1
ROTOR,I=7.5 (Ref # 21007B)	21007-0570	1
CONDENSER (Ref # 21013)	21013-0001	1
REGULATOR-VOLTAGE (Ref # 21066)	21066-0042	1
NUT,12MM (Ref # 92015)	92015-1426	1
BOLT,5X14 (Ref # 92151)	92151-1764	1
COLLAR (Ref # 92152)	92152-1449	1
BOLT,SOCKET,6X22 (Ref # 92154)	92154-0031	1
DAMPER (Ref # 92161)	92161-0266	1