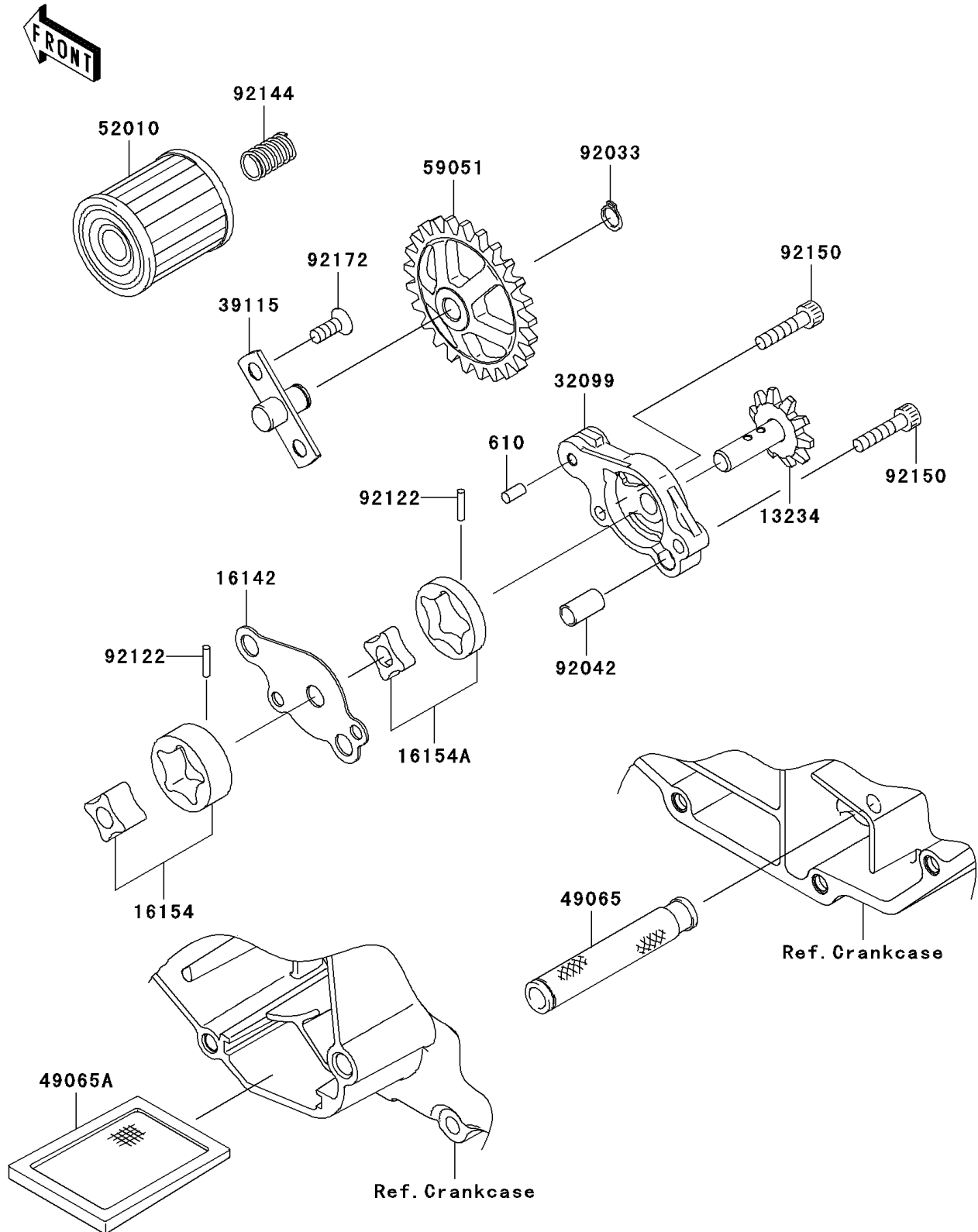


## 2012 KX™250F PARTS DIAGRAM

Oil Pump

E1710



## 2012 KX™250F PARTS LIST

### Oil Pump

| ITEM NAME                          | PART NUMBER | QUANTITY |
|------------------------------------|-------------|----------|
| ROLLER,4X8 (Ref # 610)             | 610A0408    | 1        |
| SHAFT-COMP,OIL PUMP (Ref # 13234)  | 13234-0045  | 1        |
| COVER-PUMP (Ref # 16142)           | 16142-0003  | 1        |
| ROTOR-PUMP,SCAVENGE (Ref # 16154)  | 16154-0090  | 1        |
| ROTOR-PUMP,FEED (Ref # 16154A)     | 16154-0093  | 1        |
| CASE,OIL PUMP (Ref # 32099)        | 32099-0051  | 1        |
| SHAFT-IDLER,OIL PUMP (Ref # 39115) | 39115-0007  | 1        |
| FILTER-OIL (Ref # 49065)           | 49065-0017  | 1        |
| FILTER-OIL (Ref # 49065A)          | 49065-0023  | 1        |
| ELEMENT-OIL FILTER (Ref # 52010)   | 52010-0001  | 1        |
| GEAR-SPUR,PUMP IDLER (Ref # 59051) | 59051-0009  | 1        |
| RING-SNAP,8MM (Ref # 92033)        | 92033-1039  | 1        |
| PIN,DOWEL,6.3X8X14 (Ref # 92042)   | 92042-007   | 1        |
| ROLLER,2.5X11.8 (Ref # 92122)      | 92122-0021  | 1        |
| SPRING (Ref # 92144)               | 92144-1761  | 1        |
| BOLT,SOCKET,5X22 (Ref # 92150)     | 92150-1491  | 1        |
| SCREW,6X14 (Ref # 92172)           | 92172-0087  | 1        |