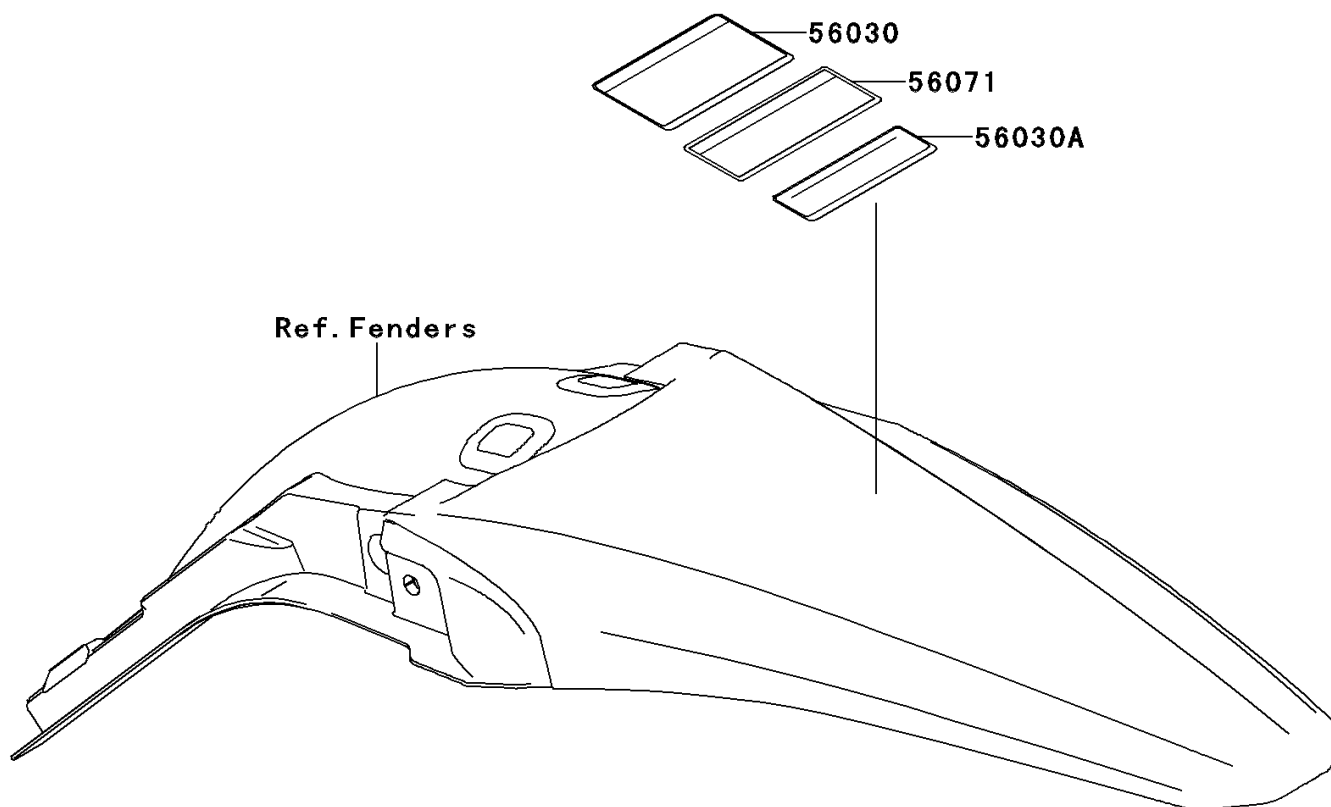
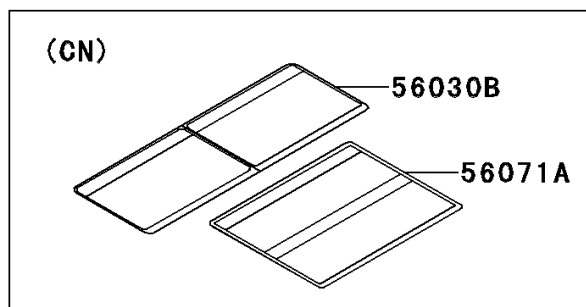


2012 KX™450F PARTS DIAGRAM

Labels

F2860



2012 KX™450F PARTS LIST

Labels

ITEM NAME	PART NUMBER	QUANTITY
LABEL,DISCLAIMER (Ref # 56030)	56030-1229	1
LABEL,NOISE EMISSION (Ref # 56030A)	56030-1231	1
LABEL,DISCLAIMER (Ref # 56030B)	56030-1233	1
LABEL-WARNING,IMPORTANT NOTICE (Ref # 56071)	56071-0028	1
LABEL-WARNING,IMPORTANT NOTICE (Ref # 56071A)	56071-0029	1