

## 2012 KX™450F PARTS DIAGRAM

Chassis Electrical Equipment

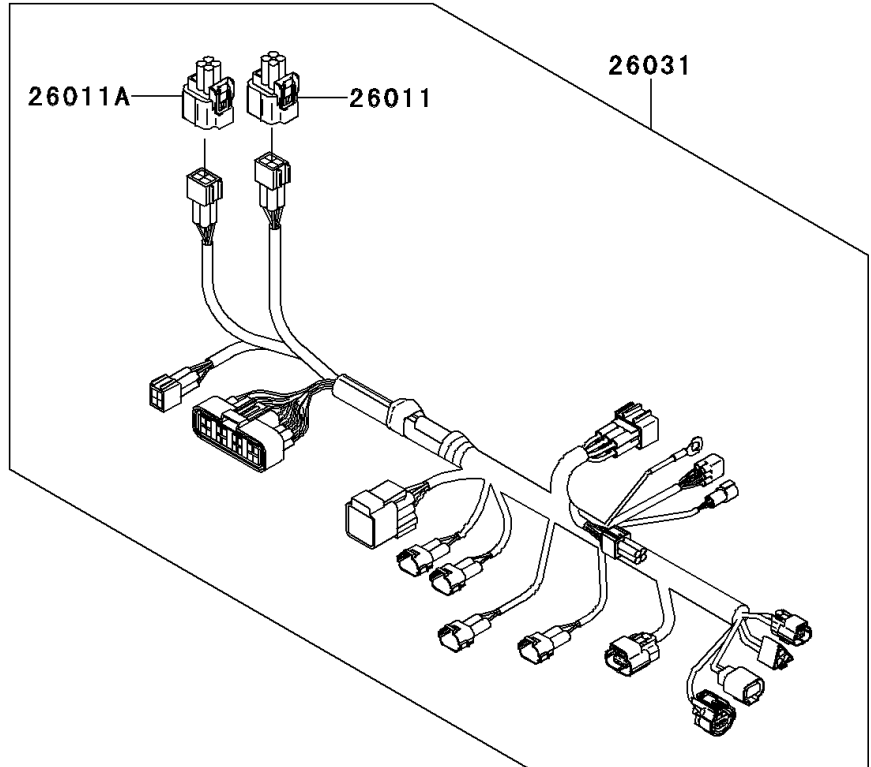
F2760



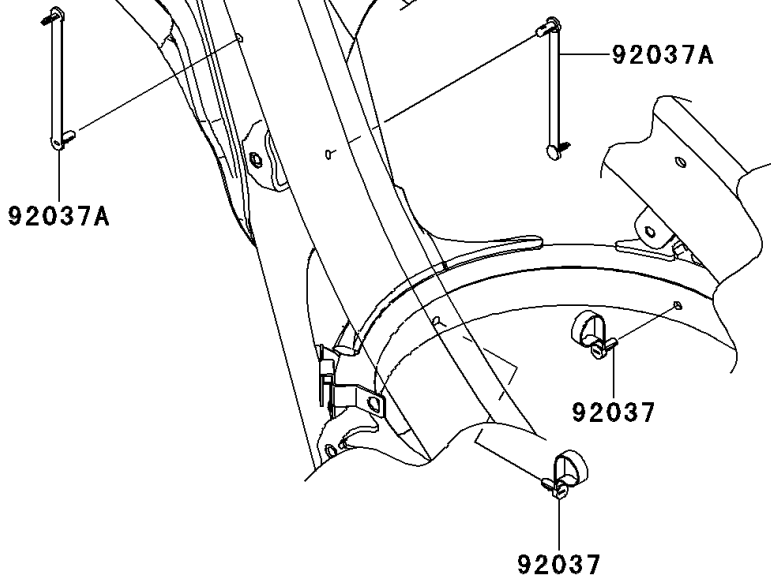
(OPTION)



26011B/C



Ref. Frame



## 2012 KX™450F PARTS LIST

Chassis Electrical Equipment

ITEM NAME	PART NUMBER	QUANTITY
WIRE-LEAD (Ref # 26011)	26011-0273	1
WIRE-LEAD,MODE SELECT,GREEN (Ref # 26011A)	26011-0727	1
WIRE-LEAD,MODE SELECT,BLACK (Ref # 26011B)	26011-0728	1
WIRE-LEAD,MODE SELECT,WHITE (Ref # 26011C)	26011-0748	1
HARNESS,MAIN (Ref # 26031)	26031-1140	1
CLAMP,SPEED,L=58 (Ref # 92037)	92037-1163	1
CLAMP,SPEED,L=80.5 (Ref # 92037A)	92037-1903	1