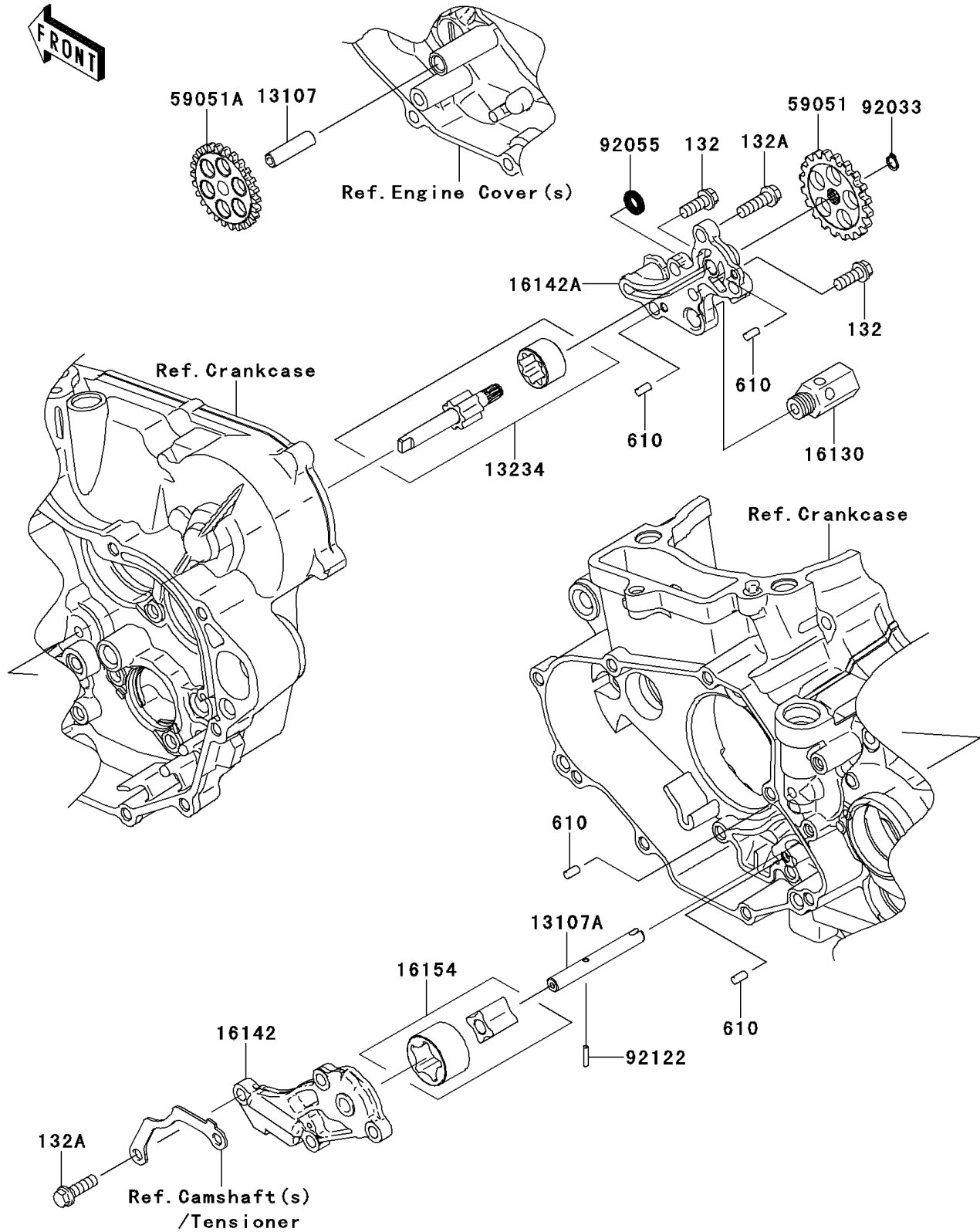


2012 KX™450F PARTS DIAGRAM

Oil Pump

E1712



2012 KX™450F PARTS LIST

Oil Pump

| ITEM NAME | PART NUMBER | QUANTITY |
|--|-------------|----------|
| BOLT-FLANGED-SMALL,6X16 (Ref # 132) | 132BA0616 | 1 |
| BOLT-FLANGED-SMALL,6X20 (Ref # 132A) | 132BA0620 | 1 |
| ROLLER,4X8 (Ref # 610) | 610A0408 | 1 |
| SHAFT (Ref # 13107) | 13107-0056 | 1 |
| SHAFT,OIL PUMP,SCAVENGE (Ref # 13107A) | 13107-0134 | 1 |
| SHAFT-COMP,FEED (Ref # 13234) | 13234-0036 | 1 |
| VALVE-ASSY-RELIEF (Ref # 16130) | 16130-1058 | 1 |
| COVER-PUMP,OIL,LH (Ref # 16142) | 16142-0042 | 1 |
| COVER-PUMP,OIL,RH (Ref # 16142A) | 16142-0062 | 1 |
| ROTOR-PUMP,SCAVENGE (Ref # 16154) | 16154-0069 | 1 |
| GEAR-SPUR,O/P DRIVEN,28T (Ref # 59051) | 59051-0044 | 1 |
| GEAR-SPUR,O/P IDLER,26T (Ref # 59051A) | 59051-0045 | 1 |
| RING-SNAP (Ref # 92033) | 92033-0019 | 1 |
| RING-O,OD=13 (Ref # 92055) | 92055-074 | 1 |
| ROLLER,2.5X11.8 (Ref # 92122) | 92122-0021 | 1 |