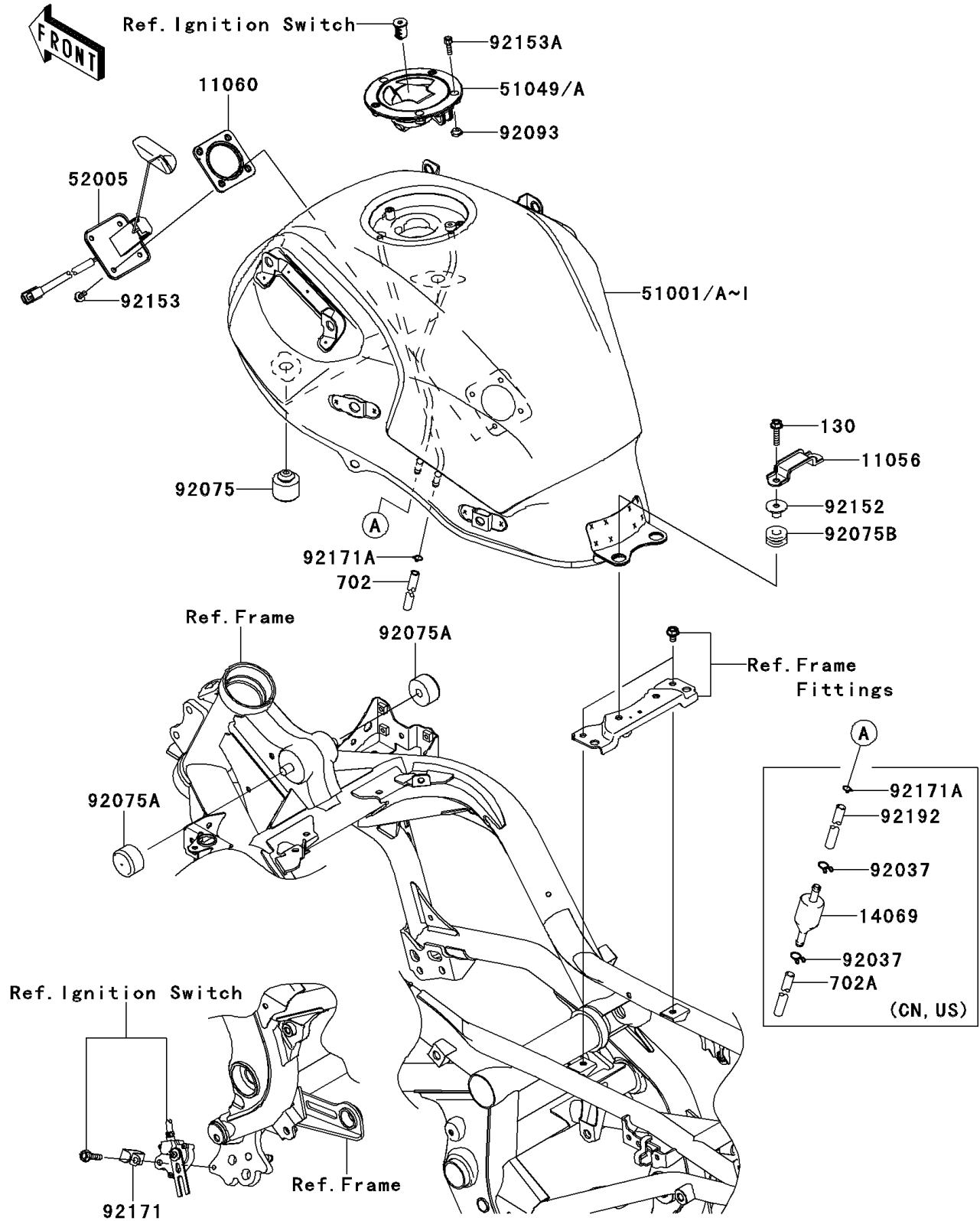


2011 VERSYS PARTS DIAGRAM

Fuel Tank

F2410



2011 VERSYS PARTS LIST

Fuel Tank

ITEM NAME	PART NUMBER	QUANTITY
BRACKET,SEAT (Ref # 11056)	11056-0361	1
GASKET,FUEL GAUGE (Ref # 11060)	11060-1952	1
CAP-TANK,FUEL (Ref # 51049)	51049-0039	1
GAUGE,FUEL (Ref # 52005)	52005-0023	1
DAMPER (Ref # 92075)	92075-1002	1
DAMPER,FUEL TANK (Ref # 92075A)	92075-125	1
DAMPER (Ref # 92075B)	92075-1690	1
SEAL,FUEL TANK CAP (Ref # 92093)	92093-1030	1
COLLAR,6.5X10X13.1 (Ref # 92152)	92152-0910	1
BOLT,FLANGED,5X12 (Ref # 92153)	92153-1421	1
BOLT,SOCKET,5X16 (Ref # 92153A)	92153-1616	1
CLAMP (Ref # 92171)	92171-0911	1
BOLT-FLANGED,6X25 (Ref # 130)	130BA0625	1
TUBE-RUBBER,6X9X750 (Ref # 702)	702A06750	1
BREATHER,FUEL TANK (Ref # 14069)	14069-1004	1
TANK-COMP-FUEL,M.F.S.BLACK (Ref # 51001B)	51001-0387-15V	1
TANK-COMP-FUEL,M.F.S.BLACK (Ref # 51001H)	51001-0388-15V	1
CLAMP,TUBE (Ref # 92037)	92037-147	1
CLAMP,8X0.7 (Ref # 92171A)	92171-1973	2
TUBE-RUBBER,7X10X100 (Ref # 702A)	702A07100	1
TUBE,BREATHER (Ref # 92192)	92192-0828	1