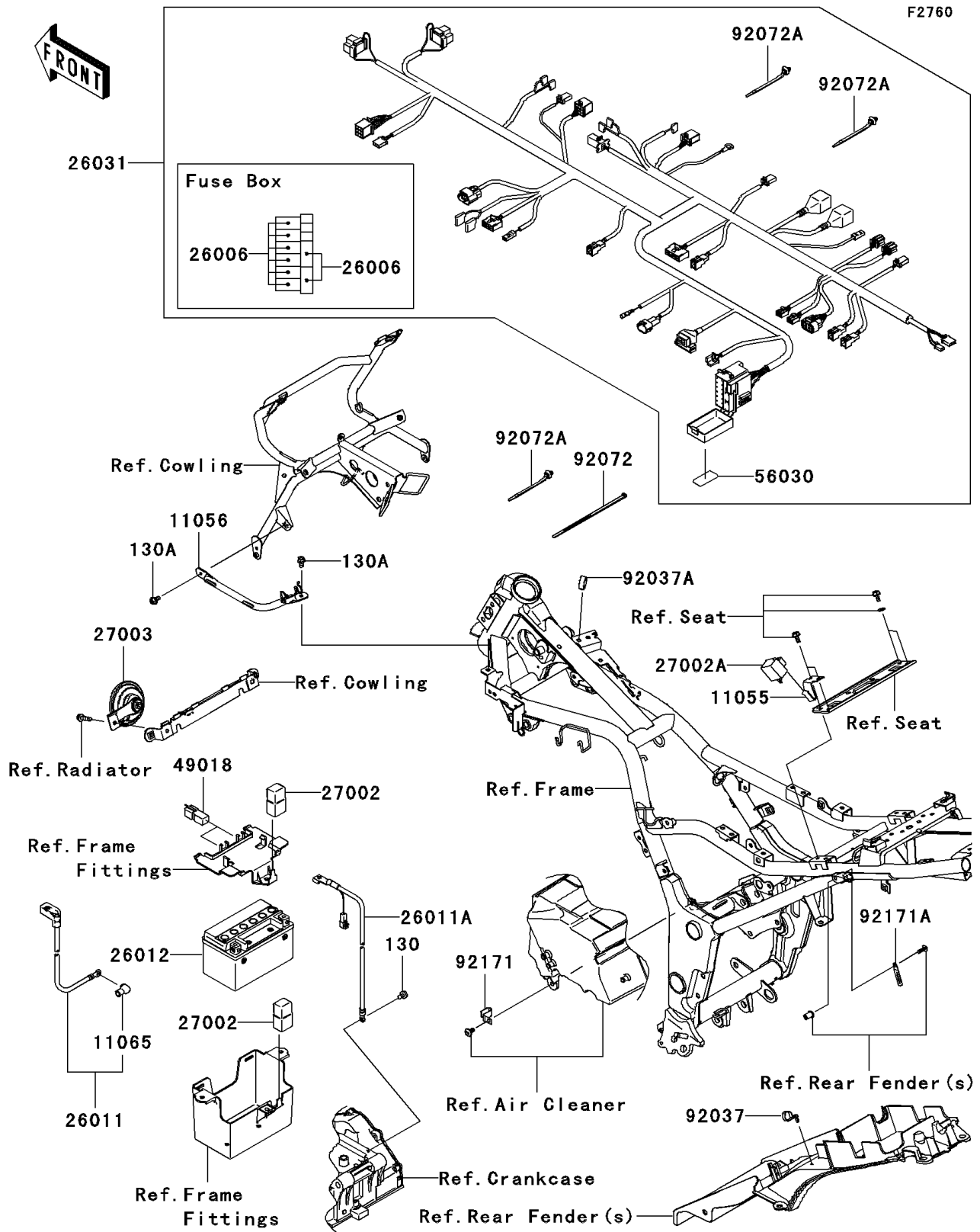


2011 NINJA® 250R PARTS DIAGRAM

Chassis Electrical Equipment



2011 NINJA® 250R PARTS LIST

Chassis Electrical Equipment

ITEM NAME	PART NUMBER	QUANTITY
BOLT-FLANGED,6X10 (Ref # 130)	130BB0610	1
BOLT-FLANGED,6X12 (Ref # 130A)	130BB0612	1
BRACKET,RELAY (Ref # 11055)	11055-0844	1
BRACKET,HARNESS (Ref # 11056)	11056-0581	1
CAP (Ref # 11065)	11065-0213	1
FUSE,MINI BLADE,10A,RED (Ref # 26006)	26006-1078	1
WIRE-LEAD,BATTERY(+) (Ref # 26011)	26011-0290	1
WIRE-LEAD,BATTERY(-) (Ref # 26011A)	26011-0291	1
BATTERY,FTX9-BS,12V 8AH (Ref # 26012)	26012-0130	1
HARNESS,MAIN (Ref # 26031)	26031-1123	1
RELAY-ASSY (Ref # 27002)	27002-1086	1
RELAY-ASSY (Ref # 27002A)	27002-1091	1
HORN (Ref # 27003)	27003-0071	1
DIODE (Ref # 49018)	49018-0005	1
LABEL,FUSE BOX (Ref # 56030)	56030-0147	1
CLAMP,SPEED,L=58 (Ref # 92037)	92037-1163	1
CLAMP,HOSE (Ref # 92037A)	92037-1827	1
BAND,L=202 (Ref # 92072)	92072-1195	1
BAND (Ref # 92072A)	92072-1414	1
CLAMP (Ref # 92171)	92171-0305	1
CLAMP (Ref # 92171A)	92171-0389	1